

# L-011-CM1-120V

# L-011-CM2-120V

**LAMP TYPE: MR16, GU10 bi-pin base**  
**Maximum 20 Watts LED, 50 Watts halogen (35 Watts max. halogen for CM2)**  
**SUITABLE FOR WET LOCATIONS**

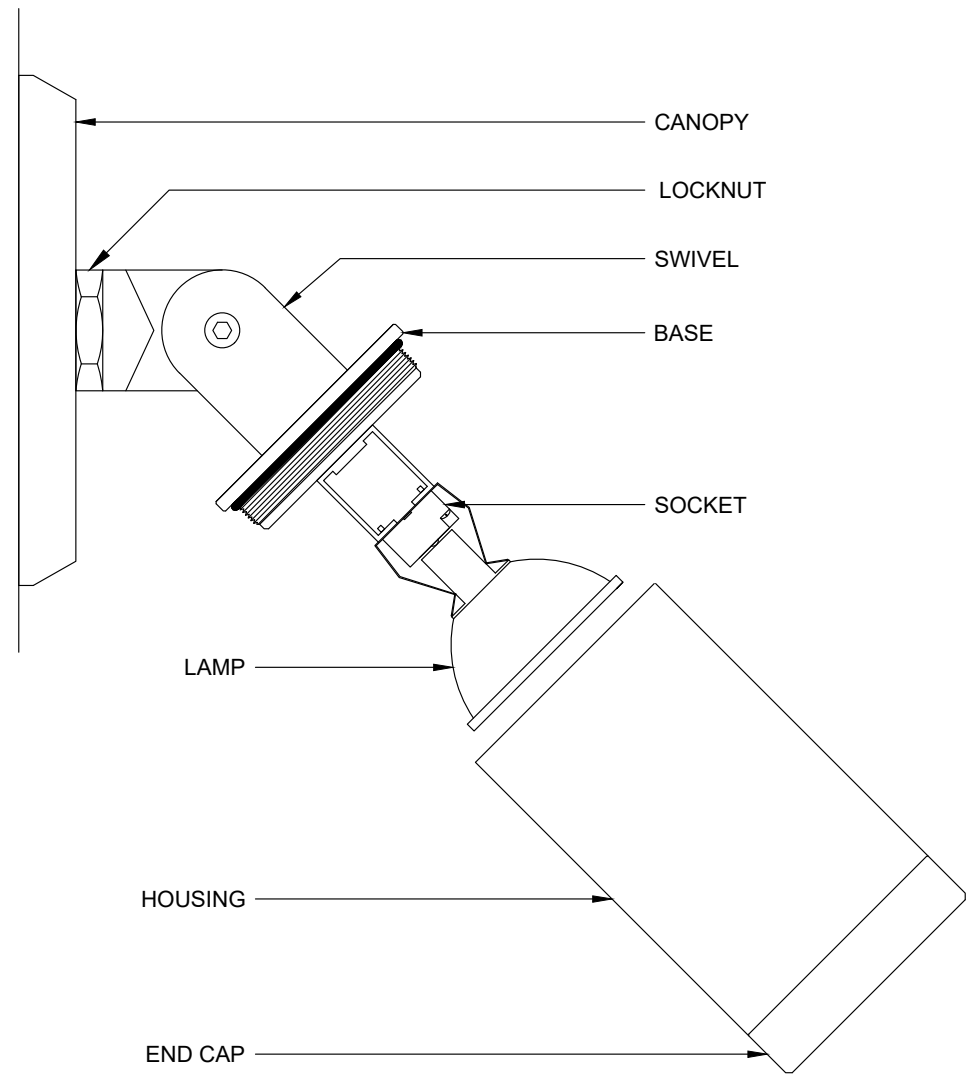
**WARNING** — Risk of Electric Shock. Verify that power is OFF before installing this fixture. This fixture must be installed in accordance with the National Electric Code and/or local codes. Failure to do so may result in serious personal injury or death. Wiring must be done by a licensed electrician.

## INSTALLATION

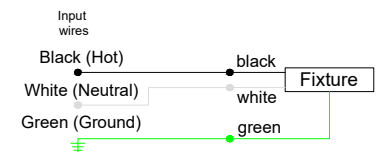
1. Verify that the power is off.
2. Hold the canopy against the junction box to check the orientation of the holes. It may be necessary to use the included universal crossbar to achieve proper orientation. If the junction box's screw holes are spaced at 2-3/4" instead of 3-1/2", use of the crossbar is required.
3. Make sure the locknut(s) is/are installed on the swivel base.
4. Pass the wire leads from the fixture through the hole(s) of the canopy, its gasket (supplied), and the crossbar (if used).
5. Thread the swivel(s) into the canopy.
6. Use the supplied wire nuts to join the fixture leads to the power supply wires as shown in the diagram: black lead(s) connects to hot, white to neutral, and green to ground. Use silicone or electrical tape around the wire nuts to ensure proper connection.
7. Rotate the fixture(s) to the desired orientation and tighten the locknut(s) against the canopy.
8. Push the connections into the junction box.
9. If using the crossbar, attach it to the junction box now.
10. Attach canopy to junction box or crossbar with the supplied screws.
11. Make sure that the gasket is consistently between junction box and canopy.
12. Adjust the angle of the fixture head(s) to the desired position and tighten the swivel(s) with a 5/32" hex wrench.

## LAMPING

1. The lens/cap assembly is permanently attached to the housing. Do not attempt to unscrew this piece.
2. Turn the brass lamp compartment housing counterclockwise (looking at the fixture lens). The housing will unscrew at its base.
3. Holding the lamp at its base, rotate it almost 1/4 turn counterclockwise and pull up to remove.
4. Holding the new lamp at its base, insert the pins into the socket and and turn clockwise until it stops.
5. Screw the housing back onto the fixture base. Do not overtighten.



808-405-6732  
www.BeachsideLighting.com



CSA Listed, file # 190030