

L-011-P-CM1

L-011-P-CM2

LAMP TYPE: 12V MR16, GU5.3 bi-pin base

Max 20 Watts LED, 35 Watts halogen (indoor/outdoor use), or 50 Watts halogen (outdoor only)

WARNING — Risk of Electric Shock. Install all luminaires 10 feet (3.05 m) or more from a pool, spa, or fountain. Verify that power is OFF before installing this fixture. This fixture must be installed in accordance with the National Electric Code and/or local codes. Failure to do so may result in serious personal injury or death. Wiring must be done by a licensed electrician.

INSTRUCTIONS PERTAINING TO A RISK OF FIRE, OR INJURY TO PERSONS

IMPORTANT SAFETY INSTRUCTIONS

Lighted lamp is HOT!

WARNING – To reduce the risk of FIRE OR INJURY TO PERSONS:

- Turn off/unplug and allow to cool before replacing lamp.
- Lamp gets HOT quickly! Contact only switch/plug when turning on. Low voltage luminaires can become very hot, depending on the lamp wattage used. Glass lens and metal areas around lamp can become hot enough to blister hands. Particular care should be taken not to locate fixtures where small children can reach them if higher wattages are used.
- Do not touch hot lens, guard, or enclosure.
- Keep lamp away from materials that may burn.
- Do not touch the lamp at any time. Use a soft cloth. Oil from skin may damage lamp.
- Do not operate the luminaire fitting with a missing or damaged cap assembly.

SAVE THESE INSTRUCTIONS

This is a low-voltage fixture for use with maximum 25A, 15V power units only. A remote transformer is required. Do not overload the transformer by installing or relamping with higher wattage lamps that together exceed the capacity of the transformer. The low-voltage cable shall: a) be protected by routing in close proximity to the luminaire or fitting, or next to a building structure such as a house or deck; b) not be buried except for a maximum 6 inches (15.2 cm) in order to connect to the main low-voltage cable; and c) have the length cut off so that it is connected to a connector within 6 inches (15.2 cm) from a building structure, a luminaire, or fitting. Contact Beachside Lighting for direct burial wire for use as main secondary wiring.

INSTALLATION

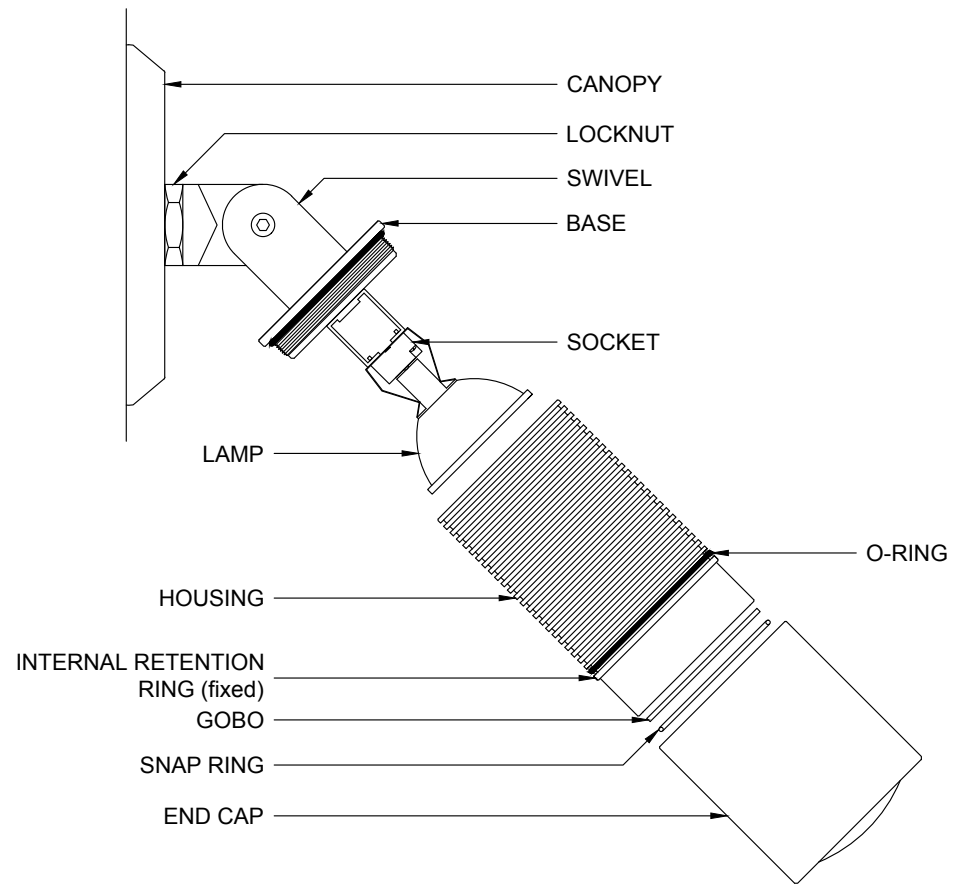
1. Verify that the power is off.
2. Hold the canopy against the junction box to check the orientation of the holes. It may be necessary to use the included universal crossbar to achieve proper orientation. If the junction box's screw holes are spaced at 2-3/4" instead of 3-1/2", use of the crossbar is required.
3. Make sure the locknut(s) is/are installed on the swivel base.
4. Pass the wire leads from the fixture through the hole(s) of the canopy, its gasket (supplied), and the crossbar (if used).
5. Thread the swivel(s) into the canopy.
6. Use wire nuts to join fixture leads to wiring from remote transformer.
7. Use silicone or electrical tape around wire nuts to ensure proper connection.
8. Rotate the fixture(s) to the desired orientation and tighten the locknut(s) against the canopy.
9. Push the connections into the junction box.
10. If using the crossbar, attach it to the junction box now.
11. Attach canopy to junction box or crossbar with the supplied screws.
12. Make sure that the gasket is consistently between junction box and canopy.
13. Adjust the angle of the fixture head(s) to the desired position and tighten the swivel(s) with a 5/32" hex wrench.

LAMPING

1. Remove the Housing by unscrewing it counterclockwise. It will separate at the Base.
2. Holding the lamp at its base, pull straight up to remove from socket.
3. Holding the new lamp at its base, align the lamp pins with the holes in the socket and insert by pushing straight down.
4. Screw the Housing back onto the fixture Base. Do not overtighten.

SECURING GOBO

1. Unscrew End Cap from Housing. This will take several revolutions.
2. Remove stainless steel Snap Ring from inside the housing. This is the ring with a round cross section and closest to the front of the fixture.
3. This fixture accepts Gobos that are 50 - 51.5 mm in diameter. Place Gobo up against the non-removable Retention Ring. Be sure to consider the orientation of the Gobo pattern and its alignment with the vertical axis of the Swivel.
4. Secure the Gobo by reinserting the Snap Ring.
5. Reattach the End Cap by slowly sliding it over the O-ring on the Housing. Allow threads to catch and tighten one or two revolutions.
6. With fixture power on, continue threading the end cap onto housing to adjust focus of the projected image.



CSA Listed, file # 190030
808-405-6732
www.BeachsideLighting.com