

M-SERIES LED 12V

Includes 12V models M3, M5, M6, M7, and M8

LAMP TYPE: LED Module, Maximum 12 Watts

GU5.3 MR16 self-ballasted LED, Maximum 15 Watts

Fixture may be installed less than 5 ft (1.5 m) from the inside walls of a pool, spa, or fountain when supplied by listed transformers or power supplies that comply with NEC 680.23(A)(2).



WARNING — RISK OF ELECTRIC SHOCK. This product must be installed in accordance with the applicable installation code by a person familiar with the construction and operation of the product and the hazards involved. Failure to do so may result in serious personal injury or death.

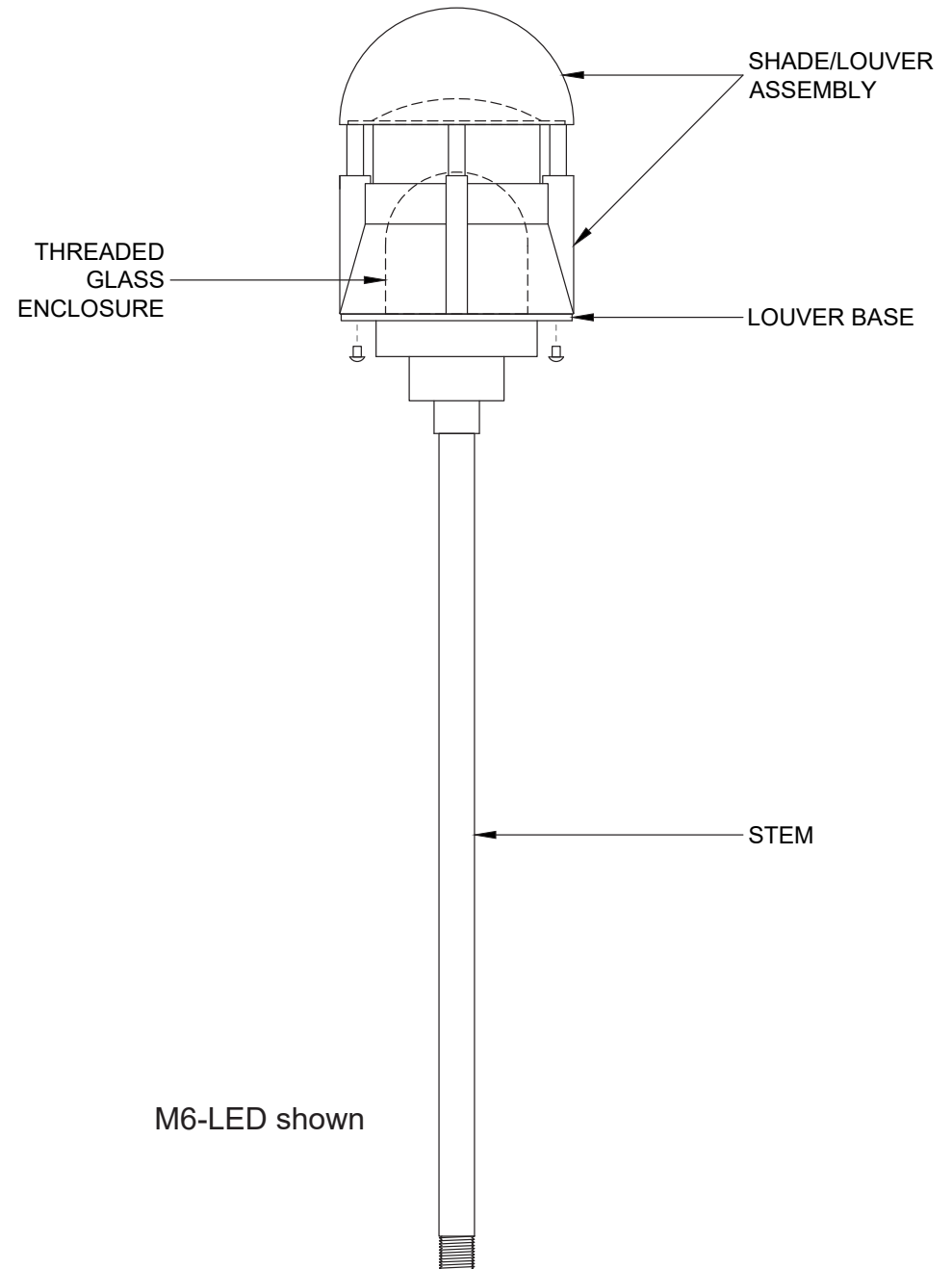
This is a low-voltage fixture for use with maximum 25A, 15V power units only. A remote transformer is required. Do not overload the transformer by installing or relamping with higher wattage lamps that together exceed the capacity of the transformer. Protect the fixture wiring by routing in close proximity to the luminaire or fitting, or next to a structure like a house or deck. Do not bury except for a maximum 6 inches (15.2 cm) to connect to the main low-voltage cable. Trim fixture wires so connection is made within 6 inches (15.2 cm) from a building structure, luminaire, or fitting. Contact Beachside Lighting below to order main low voltage cable and accessories.

- FOR USE WITH LANDSCAPE LIGHTING POWER SUPPLY ONLY
- THIS DEVICE IS ACCEPTED AS A COMPONENT OF A LANDSCAPE LIGHTING SYSTEM WHERE THE SUITABILITY OF THE COMBINATION SHALL BE DETERMINED BY THE LOCAL INSPECTION AUTHORITIES HAVING JURISDICTION
- DO NOT CONNECT TWO OR MORE POWER SUPPLIES IN PARALLEL
- LANDSCAPE LIGHTING SYSTEMS ARE FOR OUTDOOR USE ONLY
- NOT FOR USE IN DWELLING UNITS
- A LUMINAIRE SHALL NOT USE TUNGSTEN HALOGEN LAMPS UNLESS THE LUMINAIRE IS MARKED FOR SUCH LAMPS

INSTALLATION

This fixture is to be mounted to an anchored junction box or in-ground mounting spike. Before threading fixture's Stem into mounting accessory, use silicone sealant on the male threads at the base of the Stem. The Stem must be screwed in fully clockwise for stability.

1. Verify that the power is off.
2. Feed the wire leads from the fixture through the Locknut and junction box/ground spike cover.
3. Thread the Locknut fully onto the Stem and then thread the Stem into the junction box/ground spike cover.
4. Tighten the Locknut down tight to the junction box or spike cover.
5. Join fixture wires and wires from power source using supplied silicone-filled wire nuts. Use silicone or electrical tape around wire nuts to ensure proper connection.
6. Push the connections into the junction box/ground spike and attach cover.

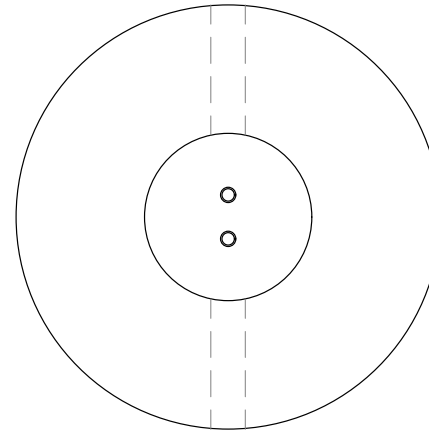


LAMPING / RELAMPING

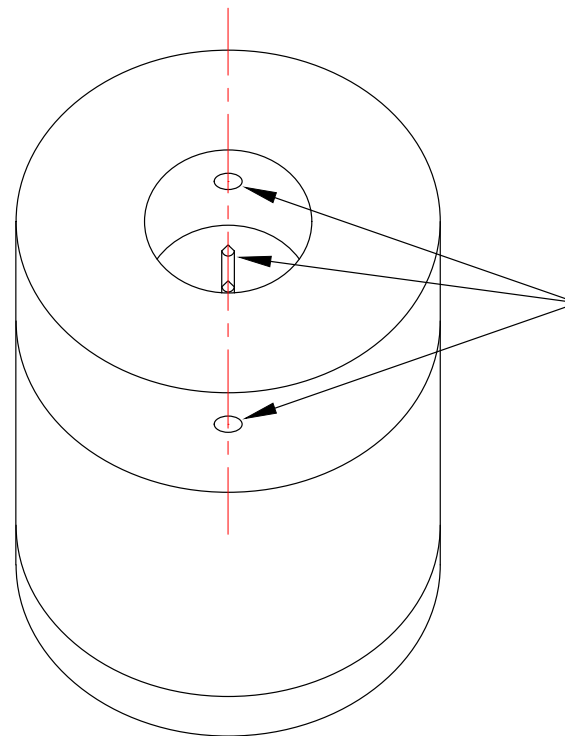
1. Turn power to fixture OFF.
2. Remove the screws securing the Shade/Louver Assembly to the Louver Base with a 1/8" hex wrench. Turn the threaded Glass Enclosure counter-clockwise to remove, exposing the light source.
3. [If equipped with an LED Module instead of MR16 Lamp, proceed to Step 5.] Using a soft cloth, grasp the Lamp and pull straight up to remove from Socket.
4. Align the pins of the new lamp with the holes in the socket and push the lamp into the socket. Proceed to Step 7.
5. Pull straight up on the LED Module to remove from Socket.
6. The set screws holes in the base of the Module are aligned with the pins inside. Use them as a guide to align the pins with the terminals in the Socket. Properly installed Module will sit flat on the Base.
7. Replace the Glass Enclosure, threading it completely down onto the gasket. Reinstall the Shade/Louver Assembly and replace the screws to secure.

CHANGING OPTICS ON LED MODULE

1. Turn power off and follow Steps 1 - 2 in "LAMPING" above.
2. Unscrew the small, round cap that surrounds the optic on the end of the Module.
3. Remove the old optic and carefully replace with new optic. Be sure that the small silicone gasket recessed in the channel at top of Module remains in place.
4. Screw the cap back onto the Module and follow Step 7 in "LAMPING" above.



BOTTOM VIEW



PINS ARE ALIGNED
WITH SET SCREWS



808-405-6732

www.BeachsideLighting.com



CSA Listed, file # 190030