

MB-SERIES LED 12V

Includes 12V models MB3, MB5, MB6, MB7, and MB8

LAMP TYPE: LED Module, Maximum 12 Watts

GU5.3 MR16 self-ballasted LED, Maximum 15 Watts

Fixture may be installed less than 5 ft (1.5 m) from the inside walls of a pool, spa, or fountain when supplied by listed transformers or power supplies that comply with NEC 680.23(A)(2).



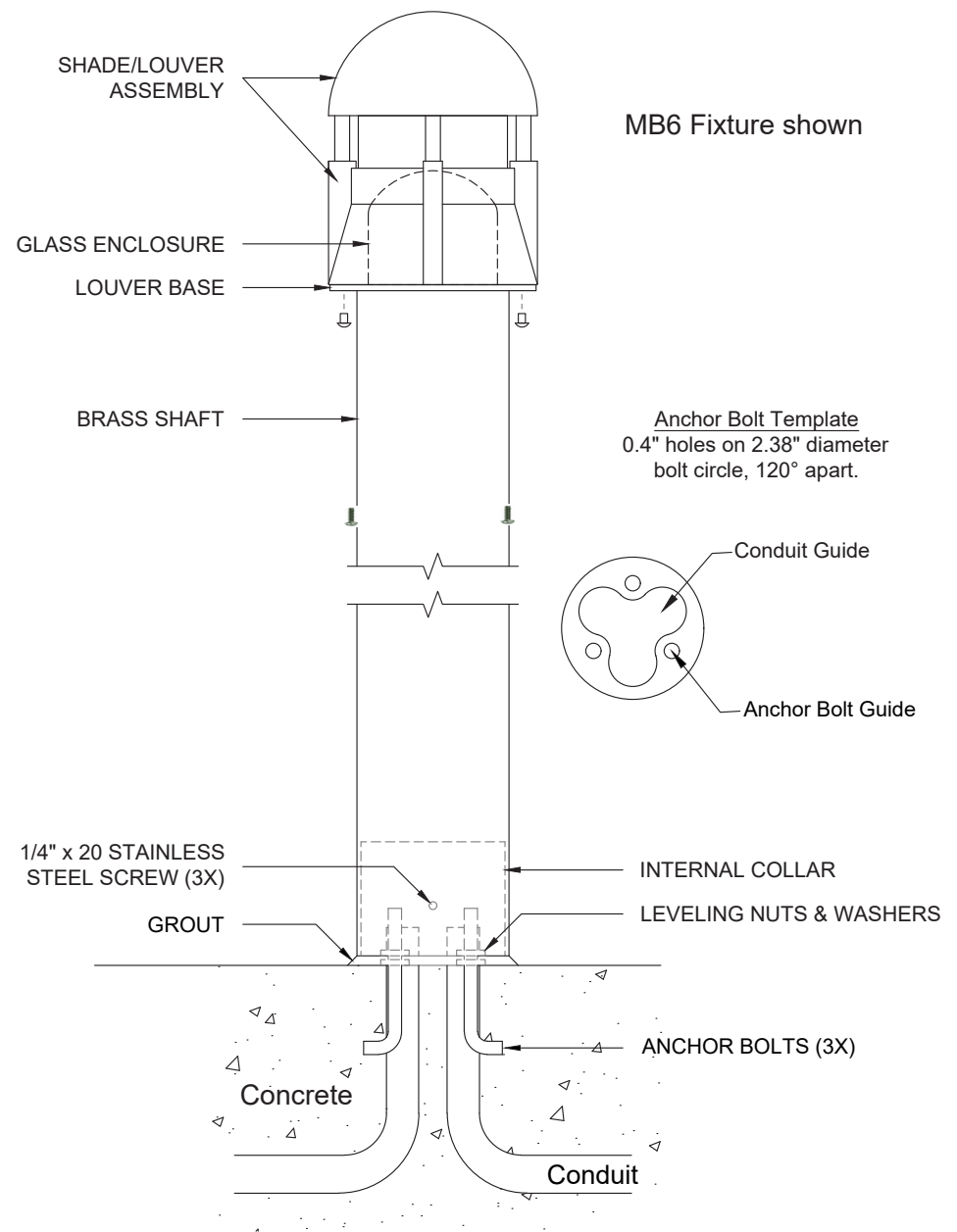
WARNING — RISK OF ELECTRIC SHOCK. This product must be installed in accordance with the applicable installation code by a person familiar with the construction and operation of the product and the hazards involved. Failure to do so may result in serious personal injury or death.

This is a low-voltage fixture for use with maximum 25A, 15V power units only. A remote transformer is required. Do not overload the transformer by installing or relamping with higher wattage lamps that together exceed the capacity of the transformer. Protect the fixture wiring by routing in close proximity to the luminaire or fitting, or next to a structure like a house or deck. Do not bury except for a maximum 6 inches (15.2 cm) to connect to the main low-voltage cable. Trim fixture wires so connection is made within 6 inches (15.2 cm) from a building structure, luminaire, or fitting. Contact Beachside Lighting below to order main low voltage cable and accessories.

- FOR USE WITH LANDSCAPE LIGHTING POWER SUPPLY ONLY
- THIS DEVICE IS ACCEPTED AS A COMPONENT OF A LANDSCAPE LIGHTING SYSTEM WHERE THE SUITABILITY OF THE COMBINATION SHALL BE DETERMINED BY THE LOCAL INSPECTION AUTHORITIES HAVING JURISDICTION
- DO NOT CONNECT TWO OR MORE POWER SUPPLIES IN PARALLEL
- LANDSCAPE LIGHTING SYSTEMS ARE FOR OUTDOOR USE ONLY
- NOT FOR USE IN DWELLING UNITS
- A LUMINAIRE SHALL NOT USE TUNGSTEN HALOGEN LAMPS UNLESS THE LUMINAIRE IS MARKED FOR SUCH LAMPS

INSTALLATION

1. Dig a minimum 12" diameter x 20" deep hole at desired fixture location.
2. Place 3/4" conduit fittings so they extend approximately 1" above grade. Use the Internal Collar as a template to position conduit. A special bollard template may be ordered from Beachside Lighting for this purpose in advance of receipt of fixture. Begin filling hole with concrete.
3. Use brass Collar or template to position the three anchor bolts. Leave 1-1/2" of exposed thread above final top level of concrete.
4. Use fixture's Internal Collar to check anchor bolt alignment before concrete sets up.
5. After curing, thread one leveling nut down to the bottom of the threads on each anchor bolt, followed by one washer per bolt.
6. Install the Collar and turn the nuts up or down to make leveling adjustments.
7. When level, install a second washer and nut onto each bolt and tighten to secure the Collar.
8. Feed main wires through conduit so they're at least 6" past the top of the Collar.
9. Join the main wires to the fixture leads with the supplied silicone-filled wire nuts and push the connections up into the Shaft.
10. Slide the fixture Shaft down over the Collar. Twist to aligning the three holes in each. Use a 5/32" hex wrench to fasten the Shaft to the Collar with the supplied 1/4-20 button-head screws.

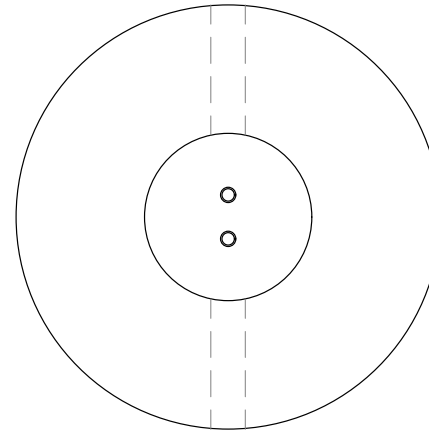


LAMPING / RELAMPING

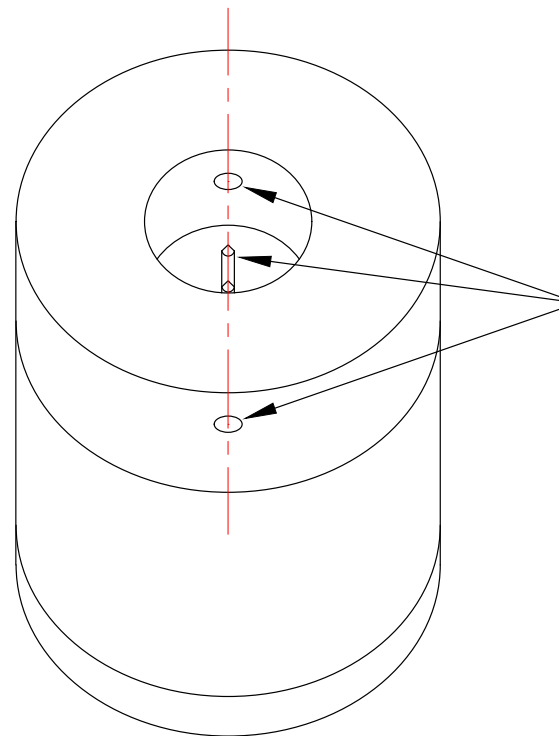
1. Turn power to fixture OFF.
2. Remove the screws securing the Shade/Louver Assembly to the Louver Base with a 1/8" hex wrench. Turn the threaded Glass Enclosure counter-clockwise to remove, exposing the light source.
3. [If equipped with an LED Module instead of MR16 Lamp, proceed to Step 5.] Using a soft cloth, grasp the Lamp and pull straight up to remove from Socket.
4. Align the pins of the new lamp with the holes in the socket and push the lamp into the socket. Proceed to Step 7.
5. Pull straight up on the LED Module to remove from Socket.
6. The set screws holes in the base of the Module are aligned with the pins inside. Use them as a guide to align the pins with the terminals in the Socket. Properly installed Module will sit flat on the Base.
7. Replace the Glass Enclosure, threading it completely down onto the gasket. Reinstall the Shade/Louver Assembly and replace the screws to secure.

CHANGING OPTICS ON LED MODULE

1. Turn power off and follow Steps 1 - 2 in "LAMPING" above.
2. Unscrew the small, round cap that surrounds the optic on the end of the Module.
3. Remove the old optic and carefully replace with new optic. Be sure that the small silicone gasket recessed in the channel at top of Module remains in place.
4. Screw the cap back onto the Module and follow Step 7 in "LAMPING" above.



BOTTOM VIEW



PINS ARE ALIGNED
WITH SET SCREWS



808-405-6732

www.BeachsideLighting.com



CSA Listed, file # 190030