

MB2 12V

**LAMP TYPE: MR16 LED, GU5.3 bi-pin base, Maximum 20 Watts;
MR16 halogen, Maximum 50 Watts
For Outdoor Use Only**

WARNING — Risk of Electric Shock. Install all luminaires 10 feet (3.05 m) or more from a pool, spa, or fountain. Verify that power is OFF before installing this fixture. This fixture must be installed in accordance with the National Electric Code and/or local codes. Failure to do so may result in serious personal injury or death. Wiring must be done by a licensed electrician.

INSTRUCTIONS PERTAINING TO A RISK OF FIRE, OR INJURY TO PERSONS IMPORTANT SAFETY INSTRUCTIONS

Lighted lamp is HOT!

WARNING — To reduce the risk of FIRE OR INJURY TO PERSONS:

- Turn off/unplug and allow to cool before replacing lamp.
- Lamp gets HOT quickly! Contact only switch/plug when turning on. Low voltage luminaires can become very hot, depending on the lamp wattage used. Glass lens and metal areas around lamp can become hot enough to blister hands. Particular care should be taken not to locate fixtures where small children can reach them if higher wattages are used.
- Do not touch hot lens, guard, or enclosure.
- Keep lamp away from materials that may burn.
- Do not touch the lamp at any time. Use a soft cloth. Oil from skin may damage lamp.
- Do not operate the luminaire fitting with a missing or damaged cap assembly.

SAVE THESE INSTRUCTIONS

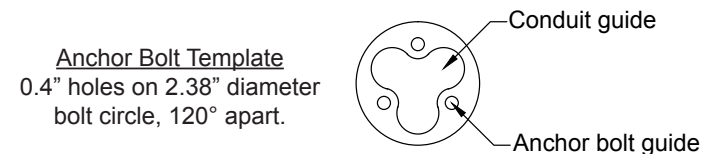
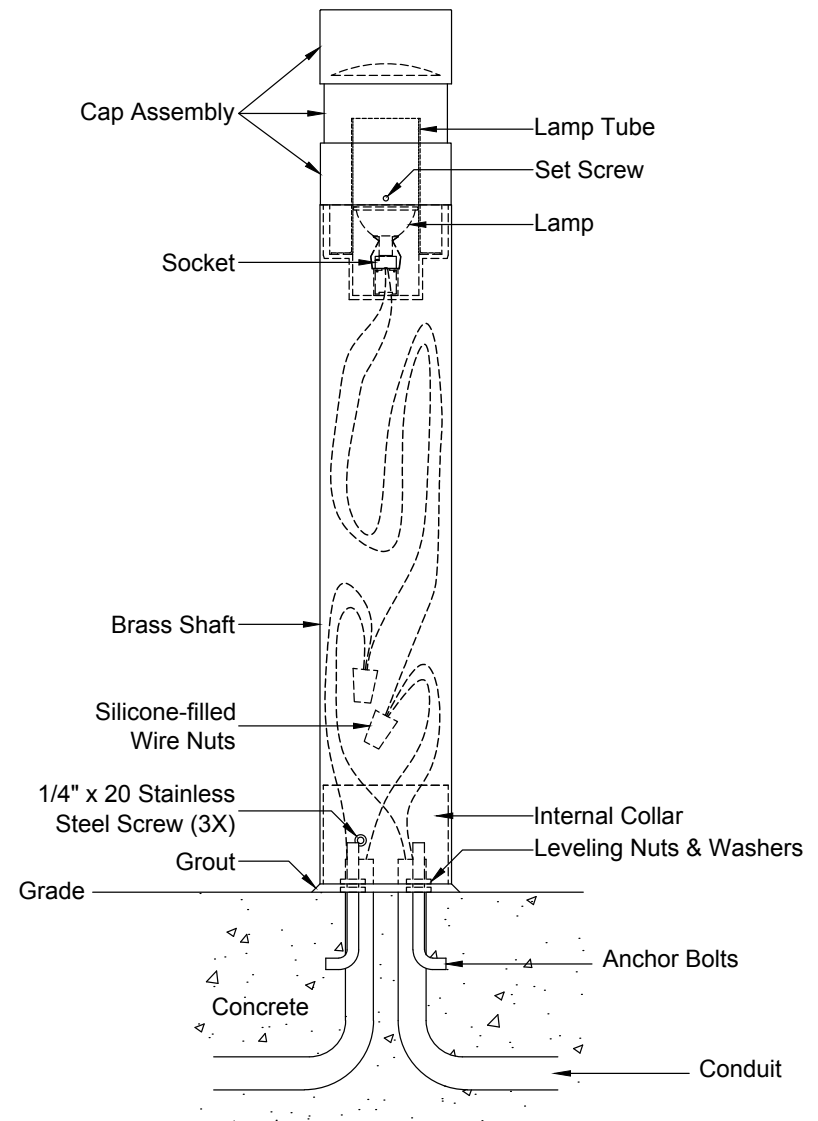
This is a low-voltage fixture for use with maximum 25A, 15V power units only. A remote transformer is required. Do not overload the transformer by installing or relamping with higher wattage lamps that together exceed the capacity of the transformer. The low-voltage cable shall: a) be protected by routing in close proximity to the luminaire or fitting, or next to a building structure such as a house or deck; b) not be buried except for a maximum 6 inches (15.2 cm) in order to connect to the main low-voltage cable; and c) have the length cut off so that it is connected to a connector within 6 inches (15.2 cm) from a building structure, a luminaire, or fitting. Contact Beachside Lighting for direct burial wire for use as main secondary wiring.

INSTALLATION

1. Dig a minimum 12" diameter x 20" deep hole at desired fixture location.
2. Place 3/4" conduit fittings so they extend approximately 1" above grade. Use the Internal Collar as a template to position conduit. A special bollard template may be ordered from Beachside Lighting for this purpose in advance of receipt of fixture. Begin filling hole with concrete.
3. Use brass Collar or template to position (3) anchor bolts. Leave 1-1/2" of exposed thread above final top level of concrete.
4. Use fixture's Internal Collar to check anchor bolt alignment before concrete sets up.
5. After curing, thread one leveling nut down to the bottom of the threads on each anchor bolt, followed by one washer per bolt.
6. Install the Collar and turn the nuts up or down to make leveling adjustments.
7. When level, install a second washer and nut onto each bolt and tighten to secure the Collar.
8. Feed main wires through conduit so they're at least 6" past the top of the Collar.
9. Using the supplied silicone-filled wire nuts, join the main wires to the fixture leads and push the connections up into the Shaft.
10. Slide the fixture Shaft down over the Collar. Use a 5/32" hex wrench to fasten the base of the Shaft to the Internal Collar.

LAMPING / RELAMPING

1. Loosen—but do not remove—the set screw at the bottom of the Cap Assembly.
2. Slide the Cap Assembly up to remove from shaft, exposing the lamp.
3. Remove the Lamp Tube by unscrewing the two #8 Phillips-head screws at its base.
4. Using a soft cloth, grasp the lamp and pull straight up to remove from socket.
5. Align the pins of the new lamp with the holes in the socket and push the lamp straight down into the socket.
6. Replace the Lamp Tube over the lamp and reinstall its two screws.
7. Replace the Cap Assembly and tighten the set screw to secure.



808-405-6732

www.BeachsideLighting.com

CSA Listed, file # 190030

