

# TMJB / TMJB2 / TMJB3

## INSTALLATION

1. Verify that the power is off.
2. Detach the Cover & Gasket from the Junction Box by using a 5/32" hex wrench to remove the four 1/4-20 x 3/4" long screws.
3. If the rear conduit entry will not be used, remove PVC plug, apply silicone around male threads of plug, and reinstall.
4. Position the Plate at desired location with strap against tree. Wrap the strap around the tree and pass it through the buckle. Pull the strap tight, folding it back against the 'teeth' of the buckle and down between the two tabs. Hammer down the tabs flat against the strap, securing it in place. Excess strap material may be cut. (Figure 1)
5. Run landscape lighting cable or round weatherproof cord (such as SJ, SJO, SJOOW) up the tree to the Box. Use stainless steel cable clamps and screws (by others) to secure the supply wires to the tree. Mark wires where they first contact the Box and cut them 4" (100 mm) longer. Strip 1/2" (12 mm) of insulation off the ends of the wires. (Figure 2) Repeat for opposite side if the wiring is to continue to another fixture farther up the tree.
6. Landscape lighting cable: Apply silicone glue to the male threads of a Romex connector (by others) and screw into the Box. Insert landscape lighting cable into the Box through the connector. Apply additional silicone glue around the cable where it passes through the connector. Tighten down the screws on the connector's clamp to secure the cable. (Figure 3)
7. Round weatherproof cord: Apply silicone glue to male threads of a Cordgrip connector (by others) and screw into the Box. Bring round cord through the connector. Use a crescent wrench to tighten the Cordgrip's hex fitting around the cord. (Figure 3)
8. If the cable will not continue to another fixture, remove PVC plug from unused hole, apply silicone around male threads of plug, and replace.
9. For standard knuckle fixtures where a brass locknut is used, place locknut on male thread and continue to thread up to about 1/16" (1.5mm) from knuckle base. Feed fixture wires through hole in Cover and rotate knuckle / fixture assembly into the Cover until contact with the locknut is made. Make sure 1/16" gap is maintained. (Figure 4)
10. If the SA accessory is used, where rotation position is fixed by an allen wrench instead of locknut (Figure 4), use high strength threadlocker on the male threads

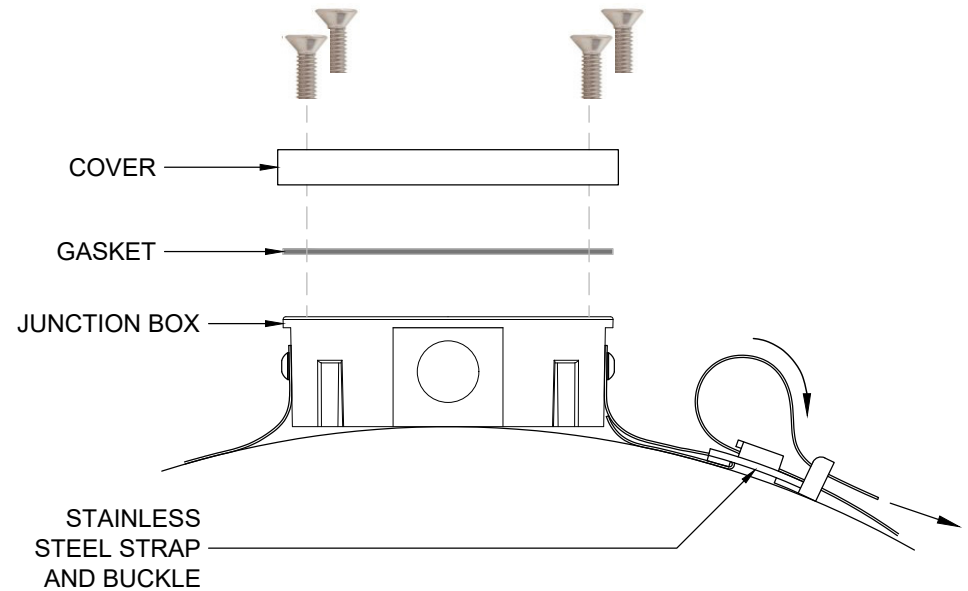


Figure 1

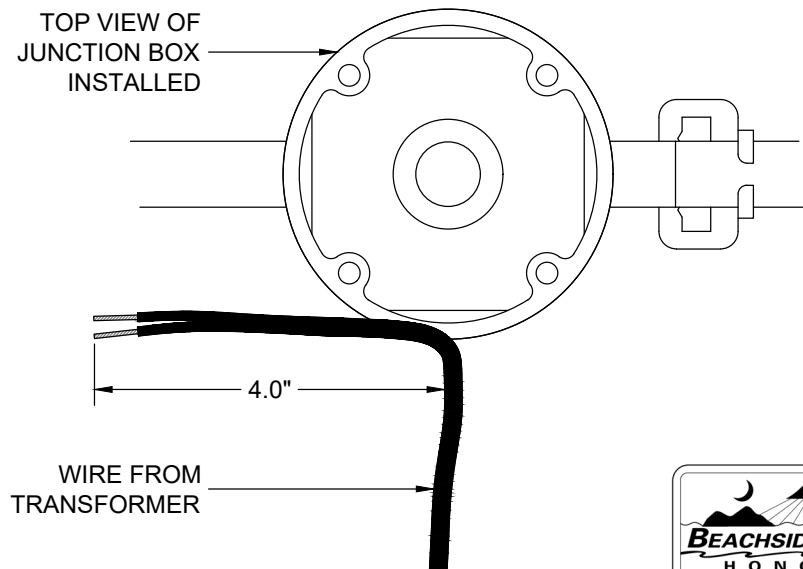


Figure 2



808-405-6732

www.BeachsideLighting.com

of the SA accessory. Thread the knuckle / fixture assembly fully into the Cover until it bottoms out.

11. Cut fixture wires to approximately 8" (20 cm) long and feed them through the hole in the Gasket. Join fixture wires with supply wires from transformer and, if applicable, to wires continuing to additional fixture(s) farther up the tree. Small silicone-filled wire nuts have been provided with the TMJBX to splice fixture wires to landscape lighting wires up to 12 gauge. **For larger size cable (such as #10), or a splice involving additional wiring to continue up the tree, use the larger silicone-filled wire nuts supplied with the fixture.**
12. Secure the Cover with the fixture(s) and Gasket onto the Box with the screws removed in Step 2. (Figure 1)
13. For standard knuckle assembly, use the locknut to lock in the left / right rotation. For SA accessory, use the larger 3/32" set screw in the knuckle base to lock in the left / right rotation. The smaller set screw is permanent and should not be loosened.

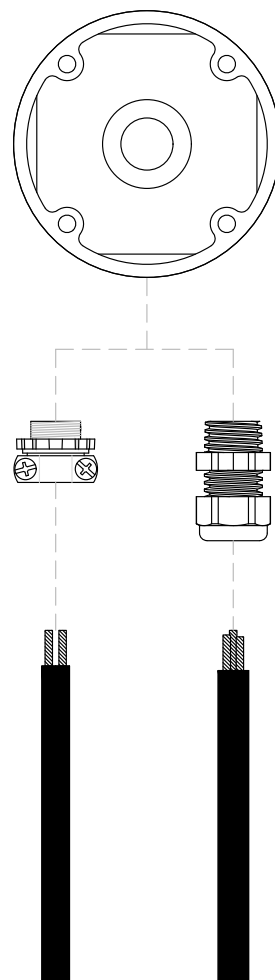


Figure 3

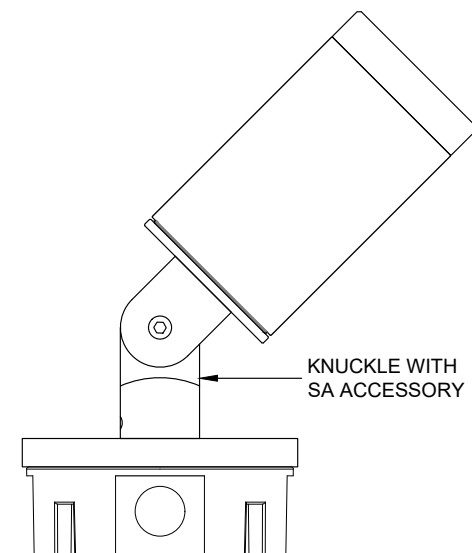
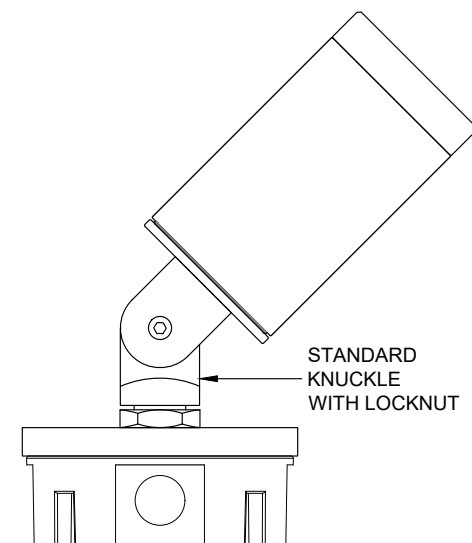


Figure 4