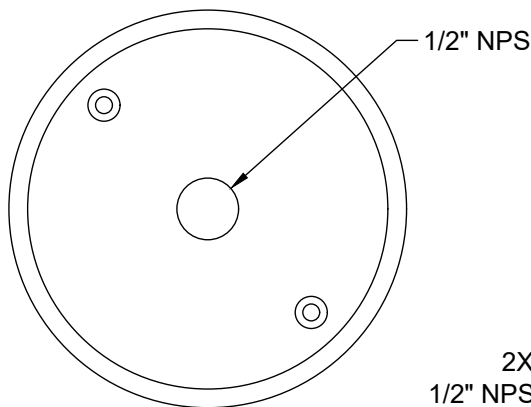
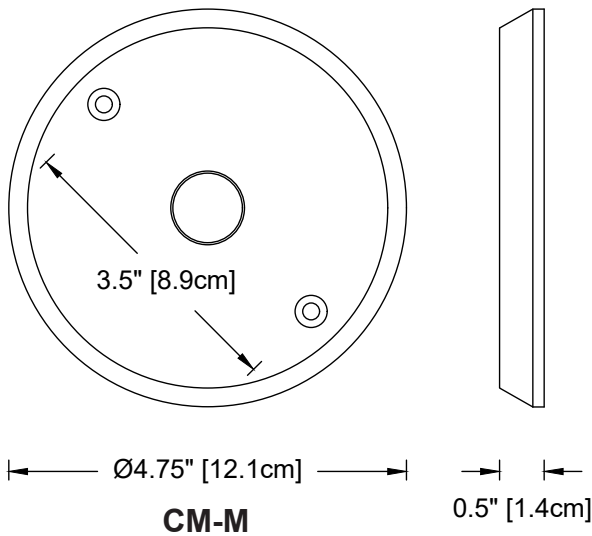
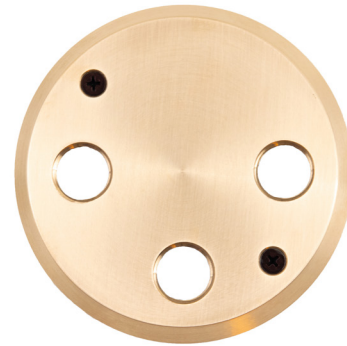


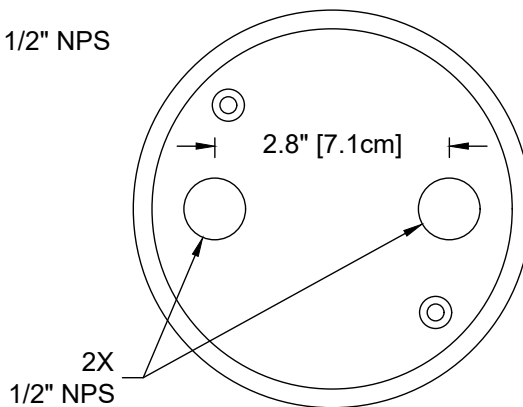
CM-M / M1 / M2 / M3

The CM-M is a machined, round brass canopy. Supplied with a solid brass crossbar to work with standard 2.75" and 3.50" hole spacing, as well as a rectangular single-gang recessed box. A round gasket and two #10-24 black oxide flat head stainless steel screws are also standard.

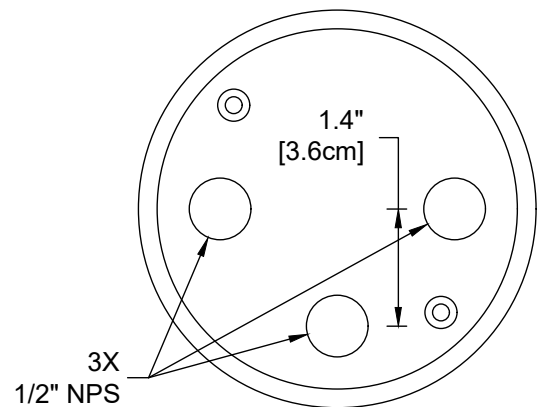
- **CM-M** One slip-fit center hole. Standard with L-013, L-014, L-023, and L-024 fixtures.
- **CM-M1** One 1/2" NPS-threaded center hole for single fixture. Standard with L-011-CM1.
- **CM-M2** Two 1/2" NPS-threaded holes for dual fixture. Standard with L-011-CM2.
- **CM-M3** Three 1/2" NPS-threaded holes for dual fixture plus Motion Sensor. Standard with L-011-CM2 with MS.



CM-M1



CM-M2



CM-M3

Project	By	Date
Canopy Mount		