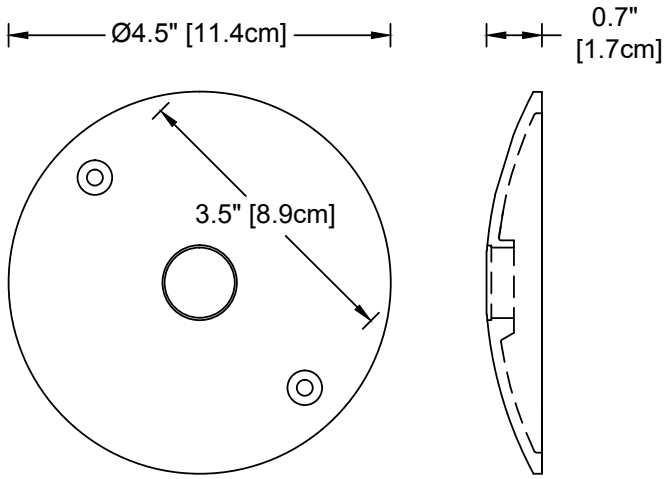
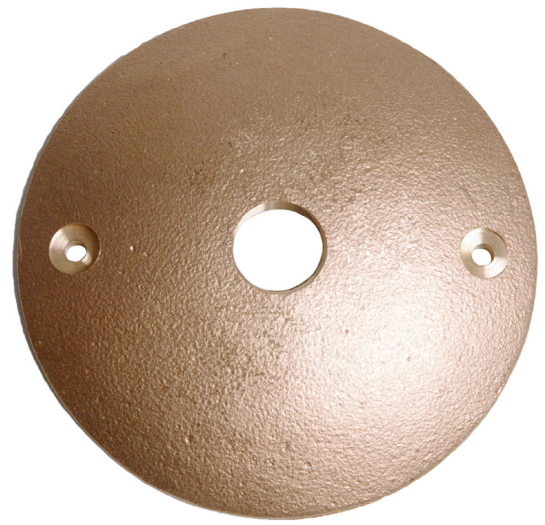


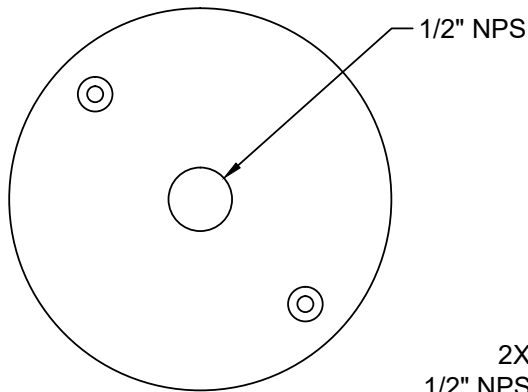
CM

The CM series are sand-cast brass canopy mounts for use with Beachside's wall-mounted fixtures.

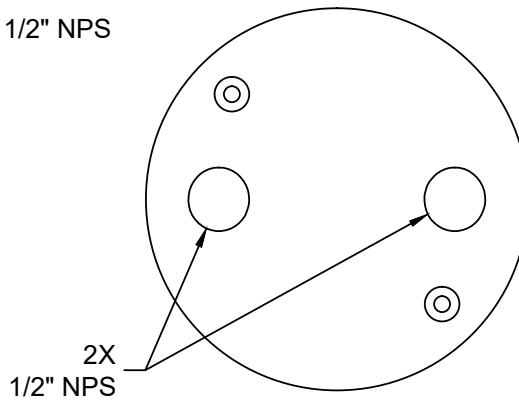
- **CM** One slip-fit center hole. Substitution accessory on L-013 and L-014 fixtures.
- **CM1** One 1/2" NPS center hole for single fixture. Substitution accessory on L-011-CM1.
- **CM2** Two 1/2" NPS holes for dual fixture. Substitution accessory on L-011-CM2.
- **CM3** Three 1/2" NPS holes for dual fixtures plus Motion Sensor. Substitution accessory on L-011-CM2 with MS.



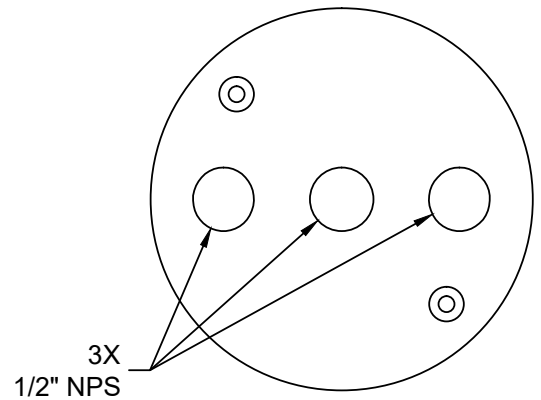
CM



CM1



CM2



CM3

Project _____	By _____	Date _____
Canopy Mount _____		