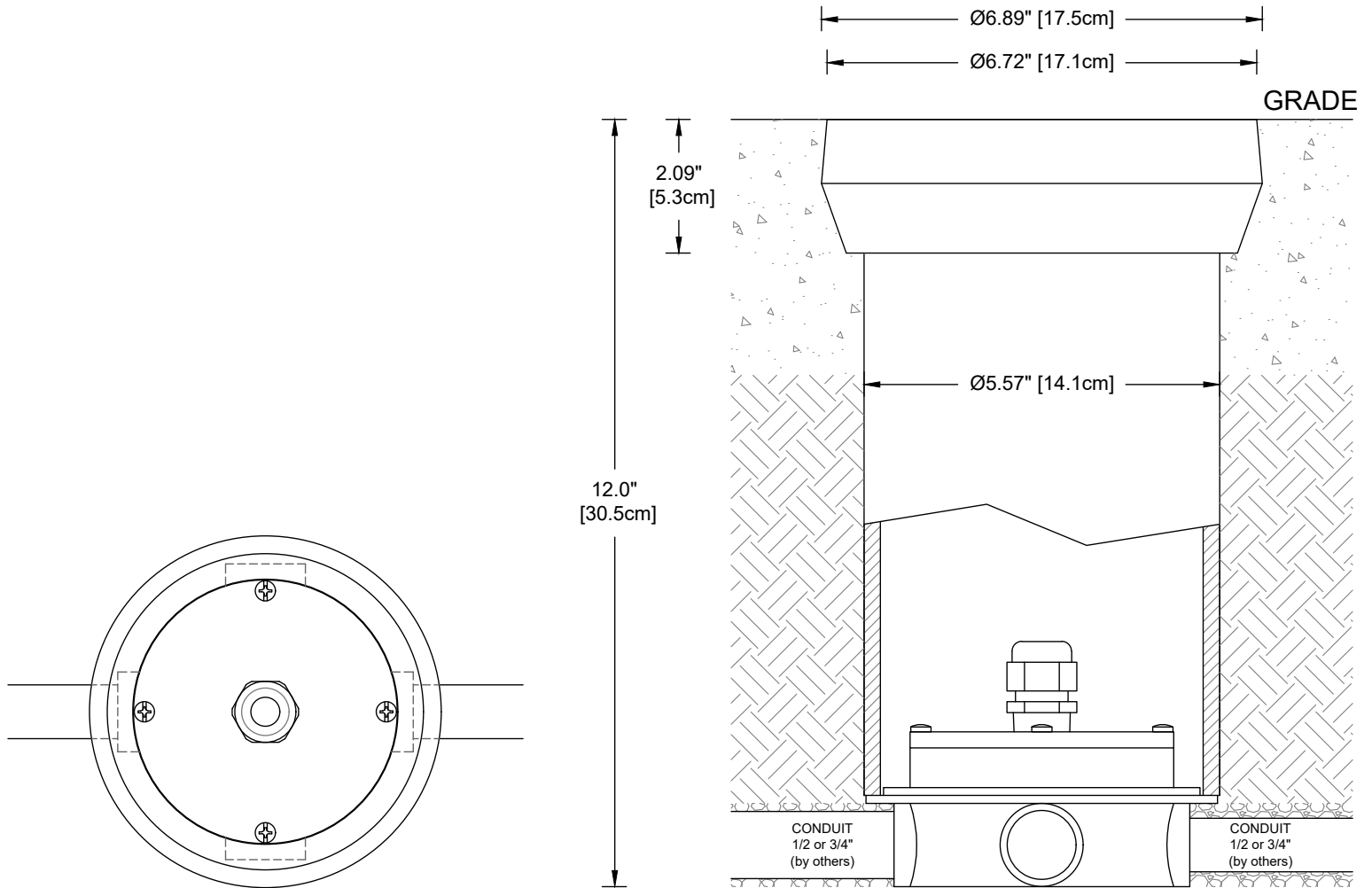


CP-KIT

The CP-KIT is used when L-010 in-ground uplights or L-017 marker lights are to be installed in new concrete. The Shelf rests on the included Junction Box and supports the Collar/Pipe assembly, allowing for precise placement and support during the pour.

- KIT INCLUDES:**
- Collar / Pipe assembly
 - Junction Box with Cover and Cordgrip
 - Junction Box Shelf
 - Foam Disc (to plug top opening during pour)
 - Fasteners



TOP VIEW OF SHELF ON JUNCTION BOX

Project	By	Date
CP-KIT Accessory		