

# E1

The E1 is an unobtrusive, low-voltage, step/downlight. Its minimalist design brings attention to the lamp's effect, not to the fixture itself.

- Construction** All brass components. 1/8" [3mm] thick brass housing.
- Lens** Tempered soda lime glass
- Voltage** 12 Volts AC/DC with integral driver (9-15V input, dimmable below 9V). Remote transformer required.
- Mounting** Two (2) hidden stainless steel sheet metal screws secure back plate to the mounting surface. Fixture housing is secured to the back plate by stainless steel set screws.  
  
Custom size canopies available using 0.125" thick brass plate. Consult factory regarding custom canopy size, shape, and thru hole positioning needed to mate with recessed j-box (by others).



		Beam/Field	Candela	Lumens	Efficacy	
Cree XPE2 LED 2 Watt AMBER (1500K) TURTLE FRIENDLY	___ <b>2W-A-SP</b>	10° / 20°	1366	65	29	
	___ <b>2W-A-NFL</b>	14° / 31°	587	64	29	
	___ <b>2W-A-FL</b>	28° / 60°	108	40	16	
	___ <b>2W-A-NO</b>	46° / 114°	15	14	6	
Cree XPE2 LED 2 Watt RED-ORANGE (1000K) TURTLE FRIENDLY	___ <b>2W-RO-SP</b>	10° / 18°	2841	123	54	
	___ <b>2W-RO-NFL</b>	13° / 28°	1483	119	52	
	___ <b>2W-RO-FL</b>	32° / 56°	229	81	35	
	___ <b>2W-RO-NO</b>	49° / 114°	32	32	14	
Cree XPG2 LED 3 Watt Warm White (3000K)*	___ <b>3W-SP</b>	13° / 24°	2689	202	69	
	___ <b>3W-NFL</b>	17° / 37°	1214	177	61	CRI 81
	___ <b>3W-FL</b>	30° / 62°	391	143	49	
	___ <b>3W-NO</b>	47° / 86°	42	37	13	
Cree XPG2 LED 4 Watt Warm White (3000K)*	___ <b>4W-SP</b>	13° / 24°	3399	249	64	
	___ <b>4W-NFL</b>	17° / 38°	1514	230	59	CRI 81
	___ <b>4W-FL</b>	30° / 62°	492	194	50	
	___ <b>4W-NO</b>	71° / 121°	55	81	21	

\* Also available in 2700K. Add color suffix to lamp specification, e.g. "3W-NFL-2700K"

## Optical Accessories

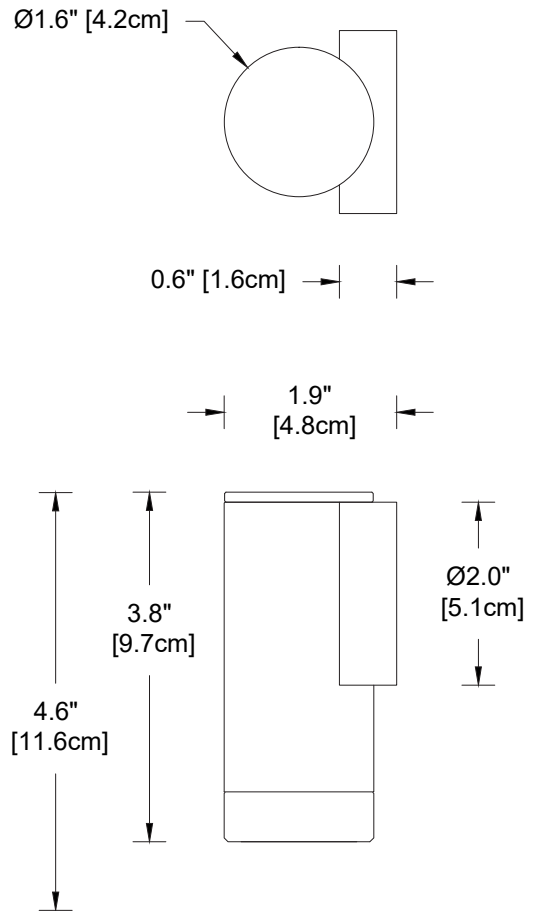
Fixture can accommodate up to two 1/8" thick optical accessories, or one accessory when used in conjunction with the 4W-NO lamp optic option.

- \_\_\_ **CTO-1/4-1.36** Color Temperature Orange filter 1/4
- \_\_\_ **CTO-1/2-1.36** Color Temperature Orange filter 1/2
- \_\_\_ **CTO-3/4-1.36** Color Temperature Orange filter 3/4
- \_\_\_ **FR8** Frosted lens, 1/8" [3mm] thick
- \_\_\_ **HL8** Honeycomb louver, 1/8" [3mm] thick
- \_\_\_ **KP** Extended snoot
- \_\_\_ **PR8** Prismatic spread lens, 1/8" [3mm] thick
- \_\_\_ **RT8** Rectilinear spread lens, 1/8" [3mm] thick
- \_\_\_ **SL8** Solite (Soft Focus) lens, 1/8" [3mm] thick

**Finish:** Unfinished is standard; no specification required. The fixture will weather to a natural patina. The patina process is natural with brass and copper. Rate of patina and eventual color is dependent upon climate and proximity to the ocean. Thus, Beachside does not guarantee any specific appearance.

**Weight:** 1.3 lbs [0.6 kg]

IP 66  
CSA Listed, file #190030  
10 year fixture warranty  
5 year Cree LED module warranty



**E1 with KP accessory**



SUITABLE FOR INDOOR AND OUTDOOR USE, AND AS UP- OR DOWNLIGHT



Project	By	Date
For ordering purposes, please specify (example: <b>E1-2W-A-FL-FR8</b> )		
<b>E1</b>	—	—
Fixture	Lamp	Accessory(ies)