

E16

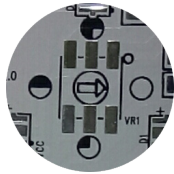
The E16 is an unobtrusive, low-voltage, directional fixture. Its compact design brings attention to the lamp's effect, not to the fixture itself. The E16 uses 7, 8, and 11-Watt integrated light engines with spot, narrow flood, and flood optic choices.

- Construction** All brass components. 0.140" [3.6mm] thick brass housing
- Lens** Tempered glass, stepped to prevent pooling of water on lens
- Voltage** 12 Volts AC / DC with integral driver (9-15V input, dimmable below 9V). Remote transformer required.

Lamps LED light engine • Triac dimmable: MLV >1% typ., ELV >5% typ.

7 Watts Cree XPE2 AMBER (1500K) 590-600nm	___	7W-A-SP	12° Beam, 27° Field	2500 cd	182 lm	30 lm/W	CRI 81	
	___	7W-A-NFL	29° Beam, 49° Field	588 cd	167 lm	22 lm/W		
	___	7W-A-FL	49° Beam, 76° Field	221 cd	159 lm	21 lm/W		
8 Watts Cree XPE2 RED-ORANGE (1000K) 625-635nm	___	8W-RO-SP	9° Beam, 20° Field	8433 cd	372 lm	55 lm/W	CRI 92	
	___	8W-RO-NFL	30° Beam, 45° Field	1198 cd	354 lm	52 lm/W		
	___	8W-RO-FL	55° Beam, 82° Field	353 cd	305 lm	45 lm/W		
11 Watts Cree XPG2 Warm White	2700K	___	11W-827-SP	___	11W-827-NFL	___	11W-827-FL	CRI 81
	3000K	___	11W-830-SP	12° Beam, 29° Field	9754 cd	799 lm	75 lm/W	
		___	11W-830-NFL	29° Beam, 50° Field	2659 cd	777 lm	73 lm/W	
11 Watts Cree XPG3 Warm White High CRI	2700K	___	11W-927-SP	___	11W-927-NFL	___	11W-927-FL	CRI 92
	3000K	___	11W-930-SP	12° Beam, 29° Field	6973 cd	756 lm	79 lm/W	
		___	11W-930-NFL	29° Beam, 50° Field	2299 cd	728 lm	75 lm/W	
___	___	11W-930-FL	48° Beam, 79° Field	936 cd	635 lm	66 lm/W		

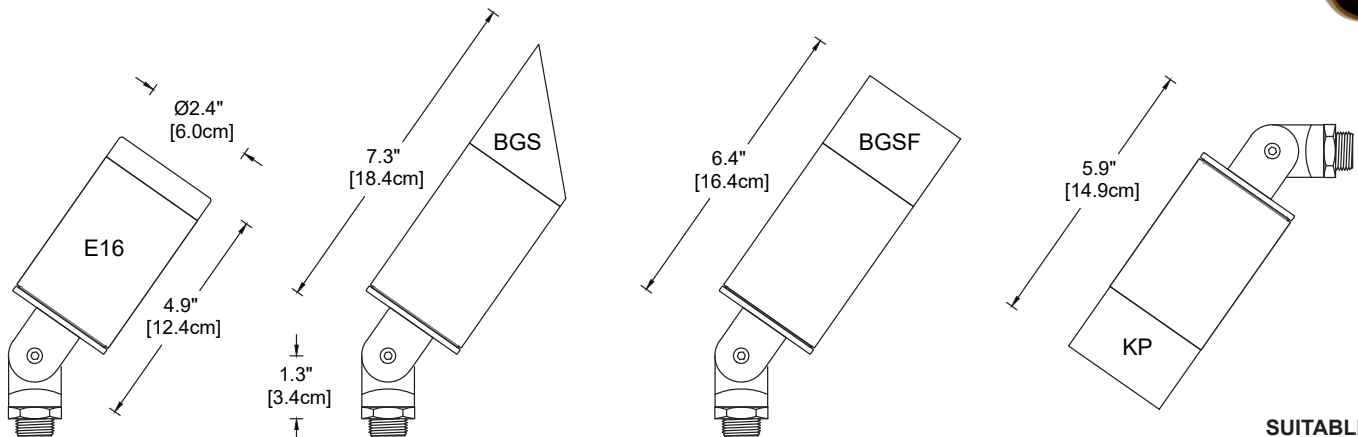
11W light engines feature adjustable output via a switch under the optic.



- Open / Clear symbol Max output
- ◐ 3/4 Open symbol 75% output
- ◑ 1/2 Open symbol 50% output
- ◒ 1/4 Open symbol 25% output

Optical Accessories

- ___ **BGS** Brass glare shield, 45° cutoff
 - ___ **BGSF** Brass glare shield, full cutoff with weep hole
 - ___ **CTO-1/4-2.04** Color Temperature Orange filter 1/4
 - ___ **CTO-1/2-2.04** Color Temperature Orange filter 1/2
 - ___ **CTO-3/4-2.04** Color Temperature Orange filter 3/4
 - ___ **FR** Frosted lens, 1/8" [3mm] thick
 - ___ **HL1** Honeycomb louver, 1/8" [3mm] thick
 - ___ **HL2** Honeycomb louver, 1/4" [6mm] thick
 - ___ **KP** Extended snoot (no weep hole) for DOWNLIGHTING only
 - ___ **PR** Prismatic spread lens, 1/8" [3mm] thick
 - ___ **RT** Rectilinear spread lens, 1/8" [3mm] thick
 - ___ **SL** Solite (Soft Focus) lens, 1/8" [3mm] thick
- Maximum (2) 1/8" thick accessories or (1) HL2 + (1) CTO Filter



E16



E16 with BGS Accessory



E16 with KP Accessory



SUITABLE FOR INDOOR AND OUTDOOR USE

E16

Mounting Accessories

1/2" male threads mount into any standard j-box or:

- ___ **BSB** Brass surface-mounted box for concrete or wood
- ___ **CM-M1** 4.75" (12.1cm) diameter solid brass canopy, single-hole
- ___ **CM-M2** 4.75" (12.1cm) diameter solid brass canopy, double-hole
- ___ **GS2** Heavy-duty ground spike
- ___ **GS2BC** Heavy-duty ground spike with cast brass cap
- ___ **GS3R** Heavy-duty ground spike with brass cap for telescoping fixture riser
- ___ **GS4** Standard ground spike with cast brass cap
- ___ **JB** Cast brass round junction box
- ___ **SA** Sure Aim locking rotation accessory (not available with **STEM-S**)
- ___ **SQ1** 4.75" (12.1cm) square brass canopy
- ___ **SQ1-3.5** 3.5" (8.9cm) small square brass canopy. Mounts over 3.0"-3.5" octagonal / round junction box only.

- ___ **SQ2** 4.75" (12.1cm) square brass canopy, double-hole
- ___ **STEM-C-__** Brass riser for applications where fixture is directed UPWARD (4"/10cm, 8"/20cm, 12"/30cm, 16"/40cm, 20"/51cm or custom height—specify in inches)
- ___ **STEM-S-__** Brass riser for applications where fixture is directed DOWNWARD, such as lighting for steps (8"/20cm, 12"/30cm, 16"/40cm, 20"/51cm or custom height—specify in inches).

- ___ **TDM1** Brass tree/deck mount with stainless steel screws
- ___ **TDM2-__** Brass tree mount with nylon strap (48, 72, or 96")
- ___ **TDM2SS-__** Brass tree mount with stainless steel strap (48, 72, or 96")
- ___ **TDM3** Brass low-profile deck/wall mount (*SA accessory recommended*)
- ___ **TDM4** Brass low-profile tree mount with notch for wire (*SA accessory recommended*)

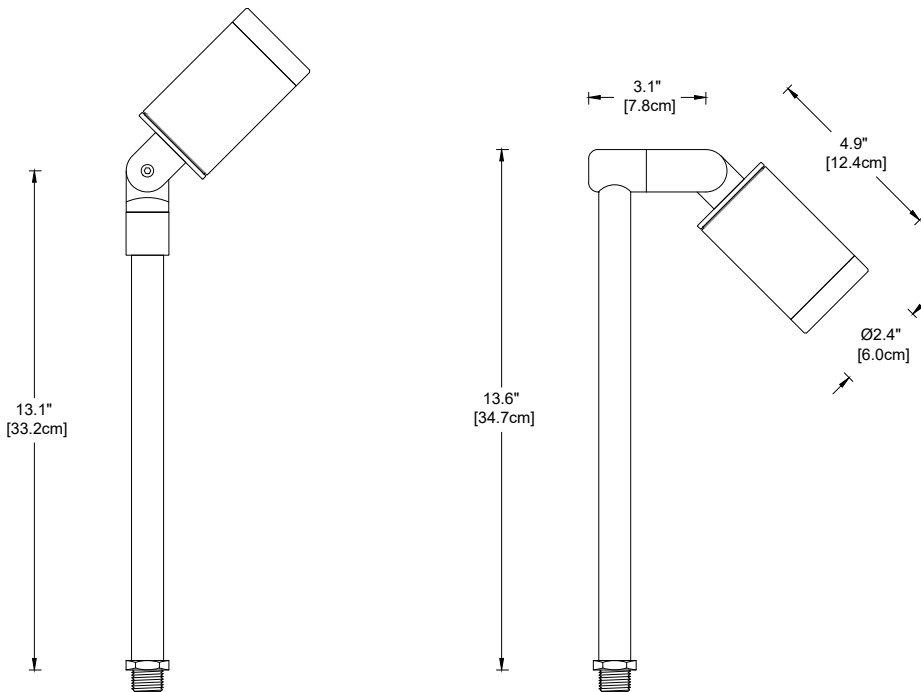
- ___ **TMJB-__** Brass tree-mounted j-box, single fixture, stainless steel strap (48, 72, or 96")
- ___ **TMJB2-__** Brass tree-mounted j-box, double fixture, stainless steel strap (48, 72, or 96")
- ___ **TMJBX** Brass tree-mounted j-box, single fixture, stainless steel screws
- ___ **TMJB2X** Brass tree-mounted j-box, double fixture, stainless steel screws
- ___ **VTM** Brass rectangular j-box, direct mount or as part of **VTM-PALM**
- ___ **VTM-PALM** Set of up to four **VTM** junction boxes, stainless steel strap (70 or 88"), and wiring. See spec. sheet for details.



E16-STEM-C-12



E16-STEM-S-12



Fixtures shown on 12-inch stems

Finish: Unfinished is standard; no specification required. The fixture will weather to a natural patina. The patina process is natural with brass and copper. Rate of patina and eventual color is dependent upon climate and proximity to the ocean. Thus, Beachside does not guarantee any specific appearance.

Weight: 2.3 lbs. [1.0 kg] (excludes Mounting Accessories)

IP 66
CSA Listed, file #190030
10 year fixture warranty
5 year LED module warranty

Project _____ By _____ Date _____
For ordering purposes, please specify (example: **E16-11W-930-SP-BGS-CTO-1/2-2.04-HL1-GS2-STEM-C-12**)

E16- _____
Fixture _____ Lamp _____ Accessory _____ Accessory _____ Accessory _____ Accessory _____ Accessory _____