

E17

The E17 is a brass drive-over pathlight / marker fixture.

Construction Solid brass faceplate, trim ring, and lamp compartment. Outer PVC housing has two 1/2" NPT taps in the side and two in the rear. Secured with two #6-32 black stainless steel screws.

Lens Frosted borosilicate glass

Voltage 12 Volts AC / DC. Remote transformer required.

Mounting In-ground or concrete installation.

Lamps Integrated LED light engine

Triac dimmable: MLV >6% typ, ELV >16% typ

Cree XPE2 **2W-A-NFL** 2 Watt **AMBER** (1500K) **TURTLE FRIENDLY**

Cree XPE2 **2W-RO-NFL** 2 Watt **RED-ORANGE** (1000K) **TURTLE FRIENDLY**

Cree XPG2 **3W-NFL** 3 Watt Warm White (3000K)*

* Also available in 2700K. Add color suffix to lamp specification, e.g. "3W-NFL-2700K"

MR16 LED • GU5.3 • Amber, Warm White (2700K/3000K)

Cree chipset **5W-A-NFL** 5 Watt **AMBER** (1500K) **TURTLE FRIENDLY**

2700K

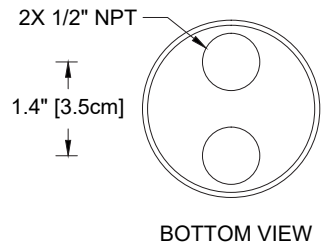
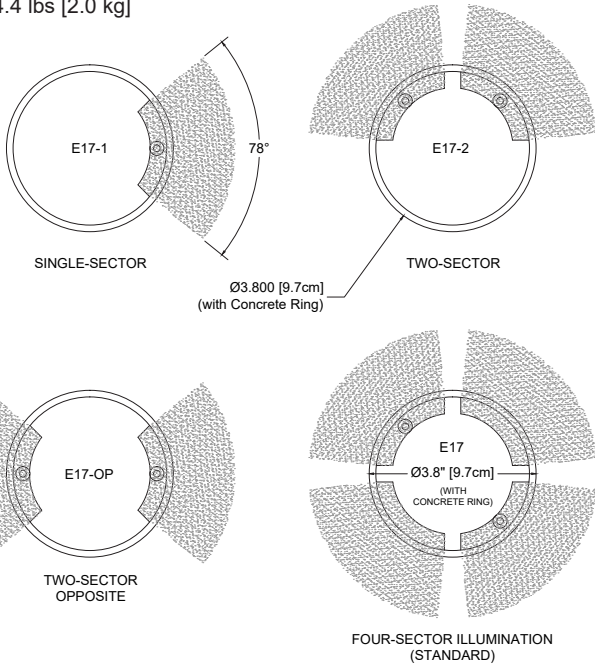
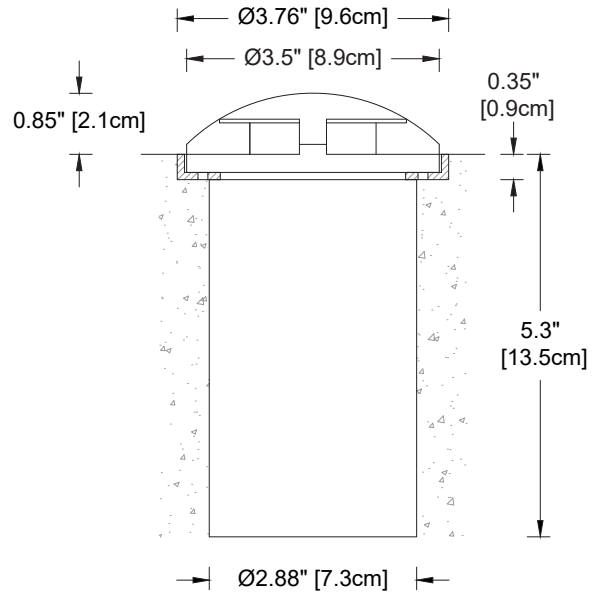
3000K

Cree chipset **5W-NFL-27** **5W-NFL-30** 5 Watt narrow flood

Soraa chipset **8W-NFL-27** **8W-NFL-30** 8 Watt narrow flood

Finish: Unfinished is standard; no specification required. The fixture will weather to a natural patina. The patina process is natural with brass and copper. Rate of patina and eventual color is dependent upon climate and proximity to the ocean. Thus, Beachside does not guarantee any specific appearance.

Weight: 4.4 lbs [2.0 kg]



IP 67
 CSA Listed, file #190030
 10 year fixture warranty
 3 year warranty on MR16 LED lamps
 Drive-over static load rating: 10,100 lbs

SP
 C US
 SUITABLE FOR
 WET LOCATIONS
 AND INDOOR &
 OUTDOOR USE



E17 - Horizontal Footcandles at Radius from Fixture

Lamp	1' / 0.3m	2' / 0.6m	3' / 0.9m	4' / 1.2m	5' / 1.5m	6' / 1.8m	7' / 2.1m	8' / 2.4m	9' / 2.7m	10' / 3.0m
5W-A-NFL	4.25	1.30	0.60	0.32	0.20	0.12	0.09	0.07	0.05	0.04
5W-NFL-30	11.95	3.75	1.7	0.96	0.59	0.39	0.28	0.21	0.17	0.15

Project _____ By _____ Date _____

For ordering purposes, please specify (example: **E17-2-5W-A-NFL**)

E17- _____
 Fixture _____ Lamp _____