

E17

The E17 is a brass drive-over pathlight / marker fixture.



Wildlife Lighting
Certification Number
2018-029

Construction Solid brass faceplate, trim ring, and lamp compartment. Outer PVC housing has two 1/2" NPT taps in the side and two in the rear. Secured with two #6-32 black stainless steel screws.

Lens Frosted borosilicate glass

Voltage 12 Volts AC / DC. Remote transformer required.

Mounting In-ground or concrete installation.

Lamps Integrated LED light engine

Triac dimmable: MLV >6% typ, ELV >16% typ

Cree XPE2 **2W-A-NFL** 2 Watt **AMBER** (1500K)

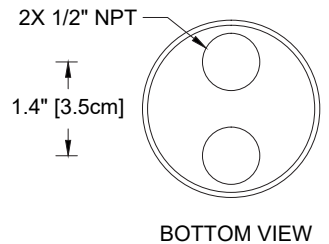
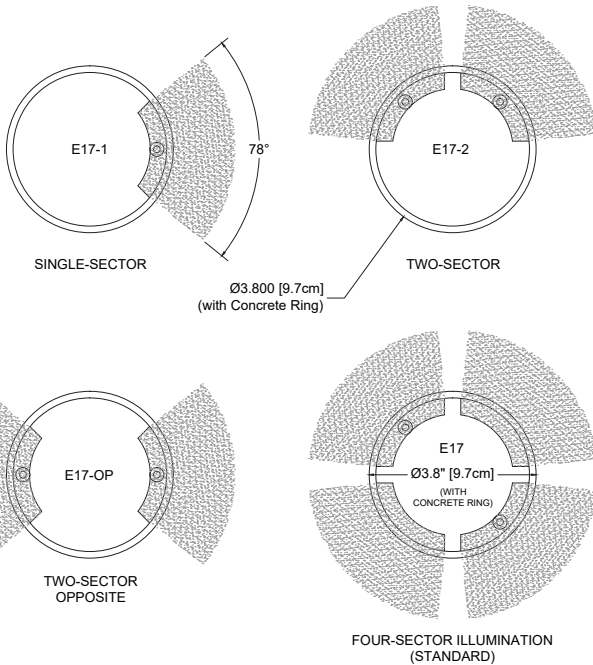
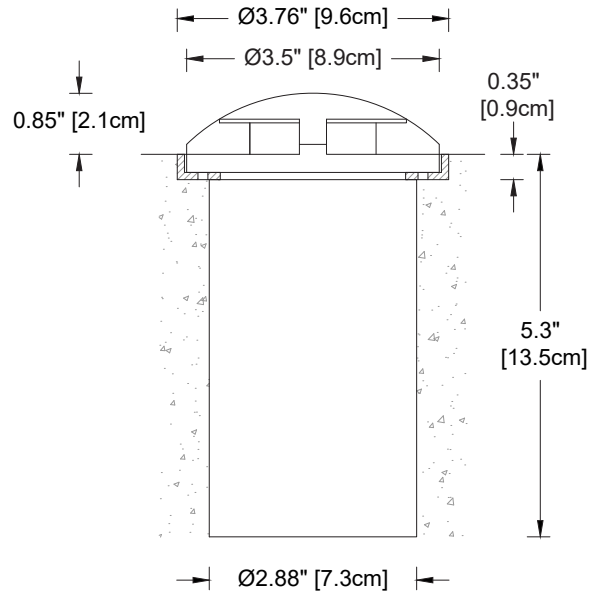
Cree XPE2 **2W-RO-NFL** 2 Watt **RED-ORANGE** (1000K)

MR16 LED • GU5.3

Cree chipset **5W-A-NFL** 5 Watt **AMBER** (1500K)

Finish: Unfinished is standard; no specification required. The fixture will weather to a natural patina. The patina process is natural with brass and copper. Rate of patina and eventual color is dependent upon climate and proximity to the ocean. Thus, Beachside does not guarantee any specific appearance.

Weight: 4.4 lbs [2.0 kg]



IP 67
CSA Listed, file #190030
10 year fixture warranty
3 year warranty on MR16 LED lamps
Drive-over static load rating: 10,100 lbs

CSA **US**
SUITABLE FOR
WET LOCATIONS
AND INDOOR &
OUTDOOR USE



E17 - Horizontal Footcandles at Radius from Fixture

Lamp	1' / 0.3m	2' / 0.6m	3' / 0.9m	4' / 1.2m	5' / 1.5m	6' / 1.8m	7' / 2.1m	8' / 2.4m	9' / 2.7m	10' / 3.0m
5W-A-NFL	4.25	1.30	0.60	0.32	0.20	0.12	0.09	0.07	0.05	0.04

Project _____ By _____ Date _____

For ordering purposes, please specify (example: **E17-2—5W-A-NFL**)

E17- _____ **5W-A-NFL**
Fixture _____ Lamp _____