

E3-M

The E3-M is a small marker fixture with a minimal 2.19" (56mm) footprint. Fixture can be used in masonry or wood applications.

Construction Solid brass trim and cylindrical lamp compartment. PVC outer housing.

Lens Frosted, cylindrical, borosilicate glass helps to diffuse light evenly. Tempered soda lime glass seals lamp compartment below.

Voltage 12 Volts AC / DC. Remote transformer required.

Mounting Ground, ceiling, or wall-mount installation in masonry or wood. No mounting accessory is needed for core drill applications. Optional Deck Mount accessory allows for adaptation to wood deck of varying thicknesses. Optional brass Conduit Fitting features two side and one bottom 1/2" NPT threaded holes for remote splicing and/or applications with limited depth. Concrete Form Kit secures the fixture Housing vertically or horizontally in a form for installation in new concrete. Trim and lamp compartment are friction-fit into sleeve using o-rings, eliminating the need for visible fasteners.

Lamps LED, Triac dimmable: MLV >6% typ., ELV >16% typ.

Cree XPE2	___ 2W-A-SP	2 Watt AMBER (1500K)	1.4 cd	5.6 lm
TURTLE FRIENDLY	___ 2W-RO-SP	2 Watt RED-ORANGE (1000K)		
Cree XPG2	___ 3W-SP	3 Watt spot	3.5 cd	15 lm
Warm White (3000K)*				

* Also available in 2700K. Add color suffix to lamp specification, e.g. "3W-NFL-2700K"

MR11 LED, Triac dimmable >25%

Cree chipset
TURTLE FRIENDLY ___ **2W-A-MR11-NFL** 2 Watt **AMBER** narrow flood (1500K)

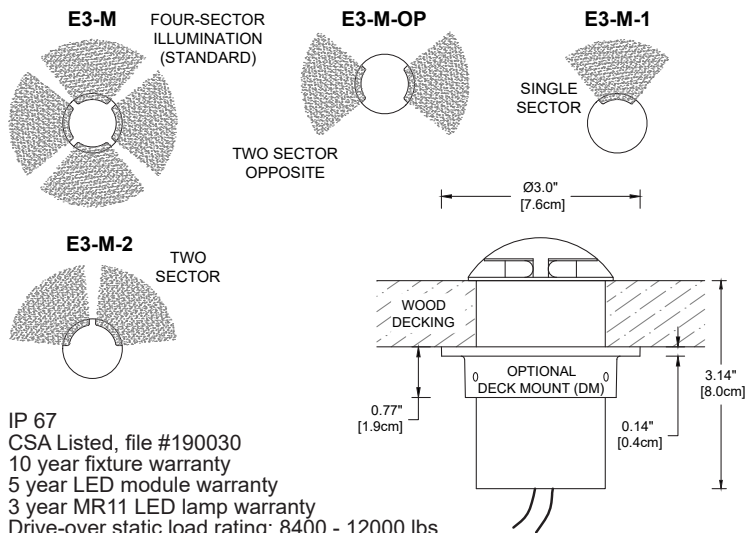
Cree chipset
Warm White ___ **2W-MR11-SP-27** 2 Watt spot (2700K)
___ **2W-MR11-SP-30** 2 Watt spot (3000K)

Mounting (None needed for Core Drill Applications)

Accessories

- ___ **CF** Conduit Fitting (Limited Depth / Remote Splice)
- ___ **CFK** Concrete Form Kit
- ___ **DM** Deck Mount adapter ring for wooden decks

Finish: Unfinished is standard, no specification required. The fixture will weather to a natural patina. The patina process is natural with brass and copper. Rate of patina and eventual color is dependent upon climate and proximity to the ocean. Thus, Beachside does not guarantee any specific appearance.



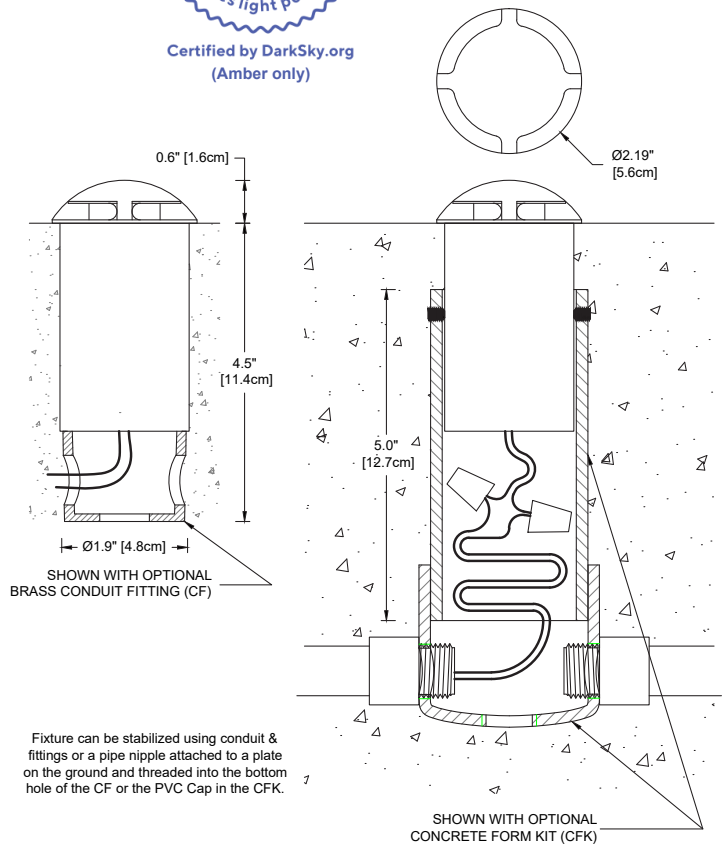
IP 67
CSA Listed, file #190030
10 year fixture warranty
5 year LED module warranty
3 year MR11 LED lamp warranty
Drive-over static load rating: 8400 - 12000 lbs



Certified by DarkSky.org
(Amber only)



SUITABLE FOR WET LOCATIONS AND INDOOR & OUTDOOR USE



Fixture can be stabilized using conduit & fittings or a pipe nipple attached to a plate on the ground and threaded into the bottom hole of the CF or the PVC Cap in the CFK.

SHOWN WITH OPTIONAL CONCRETE FORM KIT (CFK)

Project	By	Date
For ordering purposes, please specify (example: E3-M-2—2W-MR11-SP-27—DM)		
E3-M	Lamp / Beam	Accessory(ies)
Fixture		