

E3-M



**Wildlife Lighting
Certification Number
2018-029**

The E3-M is a small marker fixture with a minimal 2.19" (56mm) footprint. Fixture can be used in masonry or wood applications.

Construction Solid brass trim and cylindrical lamp compartment. PVC outer housing.

Lens Frosted, cylindrical, borosilicate glass helps to diffuse light evenly. Tempered soda lime glass seals lamp compartment below.

Voltage 12 Volts AC / DC. Remote transformer required.

Mounting Ground, ceiling, or wall-mount installation in masonry or wood. No mounting accessory is needed for core drill applications. Optional Deck Mount accessory allows for adaptation to wood deck of varying thicknesses. Optional brass Conduit Fitting features two side and one bottom 1/2" NPT threaded holes for remote splicing and/or applications with limited depth. Concrete Form Kit secures the fixture Housing vertically or horizontally in a form for installation in new concrete. Trim and lamp compartment are friction-fit into sleeve using o-rings, eliminating the need for visible fasteners.

Lamps LED, Triac dimmable: MLV >6% typ., ELV >16% typ.

Cree XPE2
 ___ **2W-A-SP** 2 Watt **AMBER** (1500K) 1.4 cd 5.6 lm
 ___ **2W-RO-SP** 2 Watt **RED-ORANGE** (1000K)

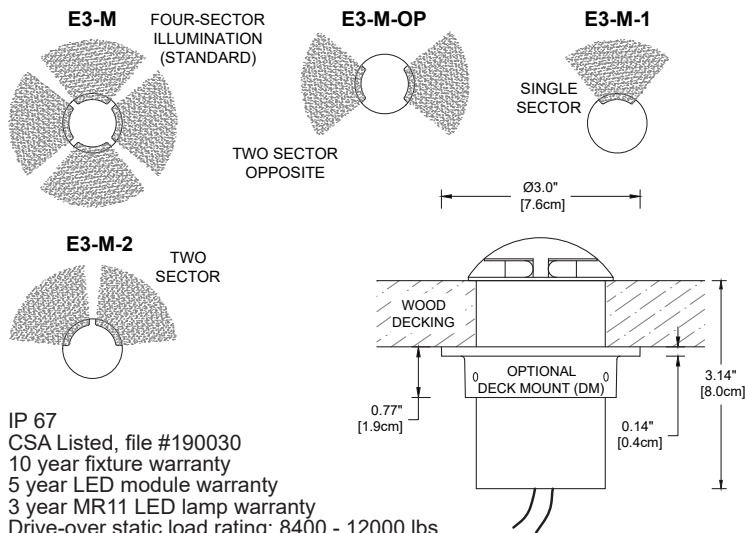
MR11 LED, Triac dimmable >25%

Cree chipset
 ___ **2W-A-MR11-NFL** 2 Watt **AMBER** narrow flood (1500K)

Mounting (None needed for Core Drill Applications)

Accessories
 ___ **CF** Conduit Fitting (Limited Depth / Remote Splice)
 ___ **CFK** Concrete Form Kit
 ___ **DM** Deck Mount adapter ring for wooden decks

Finish: Unfinished is standard, no specification required. The fixture will weather to a natural patina. The patina process is natural with brass and copper. Rate of patina and eventual color is dependent upon climate and proximity to the ocean. Thus, Beachside does not guarantee any specific appearance.



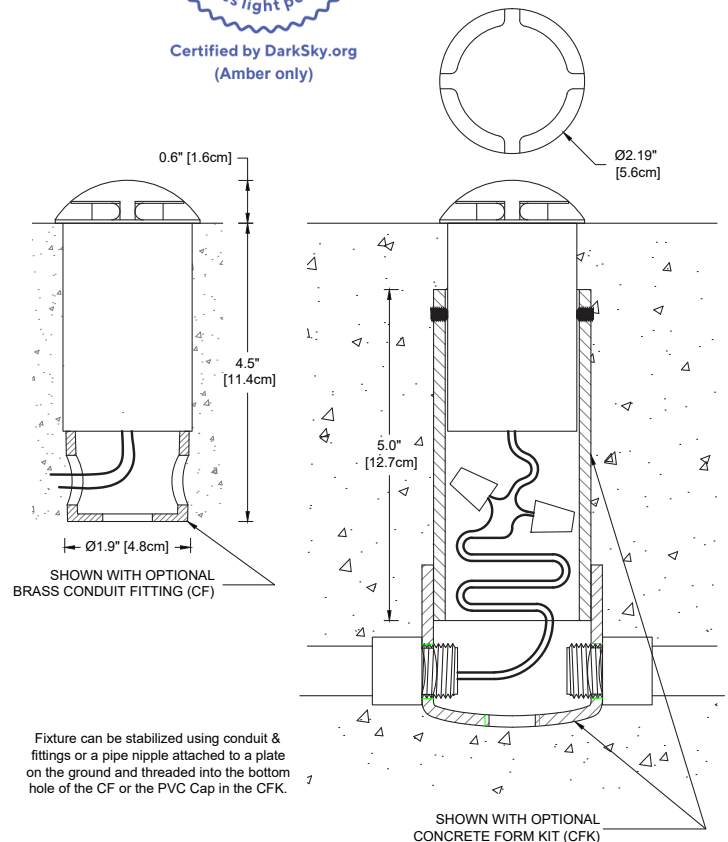
IP 67
 CSA Listed, file #190030
 10 year fixture warranty
 5 year LED module warranty
 3 year MR11 LED lamp warranty
 Drive-over static load rating: 8400 - 12000 lbs



Certified by DarkSky.org
(Amber only)



**SUITABLE FOR
WET LOCATIONS
AND INDOOR &
OUTDOOR USE**



Project	By	Date
For ordering purposes, please specify (example: E3-M-2—2W-A-MR11-SP—DM)		
E3-M	Lamp / Beam	Accessory(ies)
Fixture		