

E3-R

The E3-R is a round, recessed fixture with a minimal 2.17" (55mm) footprint. Fixture can be used as a steplight, uplight, or downlight in masonry or wood applications.

Construction Solid brass trim with brass cylindrical lamp compartment. PVC outer housing.

Lens Tempered soda lime glass. Stepped to prevent pooling of water on lens for uplight applications.

Voltage 12 Volts AC / DC. Remote transformer required.

Mounting Ground, ceiling, or wall-mount installation in masonry or wood. No mounting accessory is needed for core drill applications. Optional Deck Mount accessory allows for adaptation to wood deck of varying thicknesses. Optional brass Conduit Fitting features two side and one bottom 1/2" NPT threaded holes for remote splicing and/or applications with limited depth. Concrete Form Kit secures the fixture Housing vertically or horizontally in a form for installation in new concrete. Trim and lamp compartment are friction-fit into sleeve using o-rings, eliminating the need for visible fasteners.

Lamps LED, Triac dimmable: MLV >6% typ., ELV >16% typ.

Cree XPE2 2 Watt AMBER (1500K)	__ 2W-A-SP	Spot	10° Beam, 19° Field		
	__ 2W-A-NFL	Narrow Flood	15° Beam, 31° Field		
	__ 2W-A-FL	Flood	29° Beam, 60° Field		
Cree XPG2 3 Watt Warm White (3000K)*	__ 3W-SP	Spot	13° Beam, 23° Field	3088 cd	206 lm
	__ 3W-NFL	Narrow Flood	17° Beam, 36° Field		
	__ 3W-FL	Flood	30° Beam, 61° Field		

* Also available in 2700K. Add color suffix to lamp specification, e.g. "3W-NFL-2700K"
MR11 LED, Triac dimmable >25%

Cree chipset 2 Watt AMBER (1500K)	__ 2W-A-MR11-NFL	30° narrow flood
---	-------------------------	------------------

	<u>2700K</u>	<u>3000K</u>		
Cree chipset 2 Watt Warm White	__ 2W-MR11-SP-27	__ 2W-MR11-SP-30	15° spot	120 lm
	__ 2W-MR11-NFL-27	__ 2W-MR11-NFL-30	30° narrow flood	120 lm
	__ 2W-MR11-FL-27	__ 2W-MR11-FL-30	60° flood	120 lm

Optical Accessories

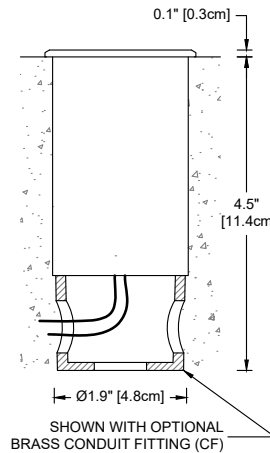
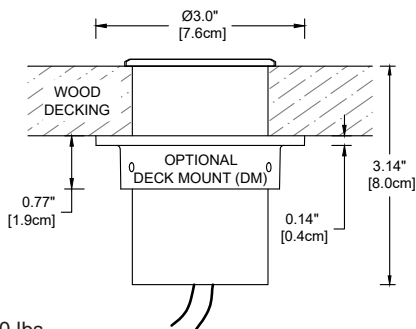
- __ **DTF-E3** Direction Turning Film bends light 20°
- __ **FR8** Frosted glass lens
- __ **HL8** Honeycomb louver, 1/8" [3mm] thick

Mounting Accessories (None needed for Core Drill Applications)

- __ **CF** Conduit Fitting (Limited Depth / Remote Splice)
- __ **CFK** Concrete Form Kit
- __ **DM** Deck Mount adapter ring for wooden decks

Finish: Unfinished is standard, no specification required. The fixture will weather to a natural patina. The patina process is natural with brass and copper. Rate of patina and eventual color is dependent upon climate and proximity to the ocean. Thus, Beachside does not guarantee any specific appearance.

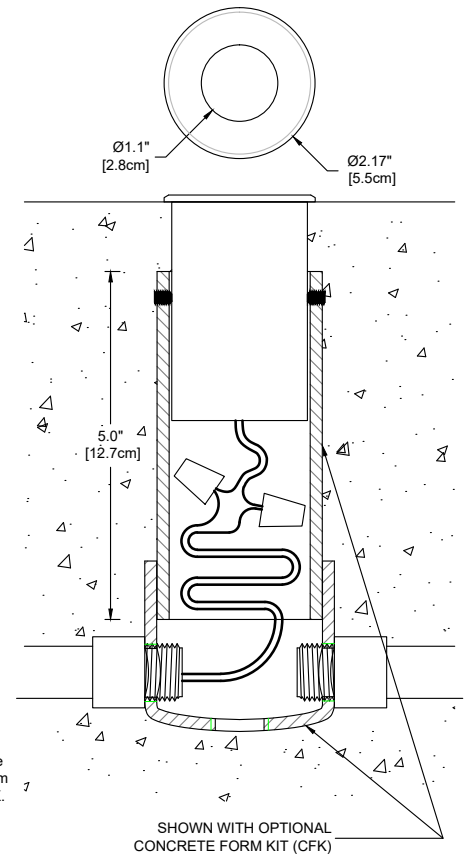
IP 67
CSA Listed, file #190030
10 year fixture warranty
5 year LED module warranty
3 year MR11 LED lamp warranty
Drive-over static load rating: 10,400 lbs



Fixture can be stabilized using conduit & fittings or a pipe nipple attached to a plate on the ground and threaded into the bottom hole of the CF or the PVC Cap in the CFK.



SUITABLE FOR WET LOCATIONS AND INDOOR & OUTDOOR USE



Project	By	Date
For ordering purposes, please specify (example: E3-R—2W-MR11-NFL-27—HL8—DM)		
E3-R	Lamp / Beam	Accessory(ies)
Fixture		