

# E3-RL



**Wildlife Lighting  
Certification Number  
2018-029**



The E3-RL is a round, recessed, louvered step light with a minimal 2.17" (55mm) footprint. Positioning of louvers milled at 30° angle throw light out and down without glare at fixture level.

**Construction** Solid brass trim with brass cylindrical lamp compartment. PVC outer housing.

**Lens** Frosted, tempered soda lime glass.

**Voltage** 12 Volts AC / DC. Remote transformer required.

**Mounting** Ground, ceiling, or wall-mount installation in masonry or wood. No mounting accessory is needed for core drill applications. Optional Deck Mount accessory allows for adaptation to wood deck of varying thicknesses. Optional Brass Conduit Fitting features two side and one bottom 1/2" NPT threaded holes for remote splicing and/or applications with limited depth. Concrete Form Kit secures the fixture Housing vertically or horizontally in a form for installation in new concrete. Trim and lamp compartment are friction-fit into sleeve using o-rings, eliminating the need for visible fasteners.

**Lamps** LED, Triac dimmable: MLV >6% typ., ELV >16% typ.

Cree XPE2 2 Watt AMBER (1500K)	— <b>2W-A-SP</b>	10° spot		
	— <b>2W-A-NFL</b>	30° narrow flood	11.5 cd	4.0 lm
	— <b>2W-A-FL</b>	50° flood	7.2 cd	3.2 lm

Cree XPE2 2 Watt RED-ORANGE (1000K)	— <b>2W-RO-SP</b>	10° spot		
	— <b>2W-RO-NFL</b>	30° narrow flood		
	— <b>2W-RO-FL</b>	50° flood		

MR11 LED, Triac dimmable >25%

Cree chipset 2 Watt AMBER (1500K)	— <b>2W-A-MR11-NFL</b>	30° narrow flood		
--------------------------------------	------------------------	------------------	--	--

**Mounting Accessories** (None needed for Core Drill Applications)

— <b>CF</b>	Conduit Fitting (Limited Depth / Remote Splice)
— <b>CFK</b>	Concrete Form Kit
— <b>DM</b>	Deck Mount adapter ring for wooden decks

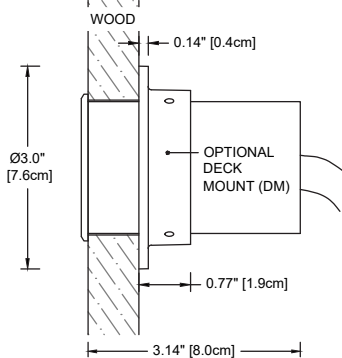
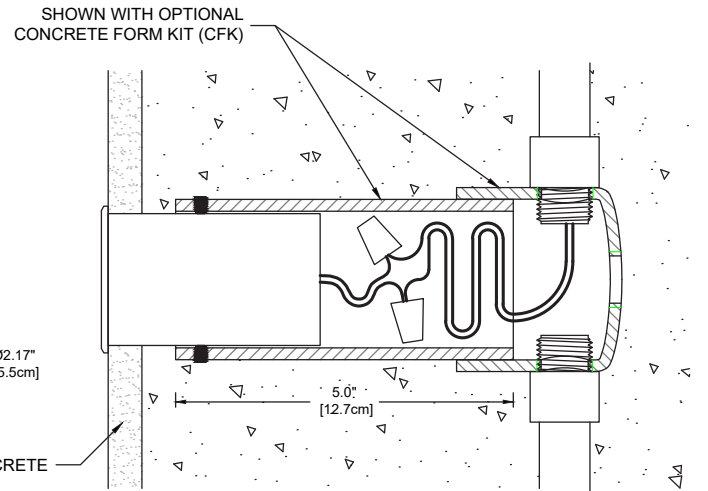
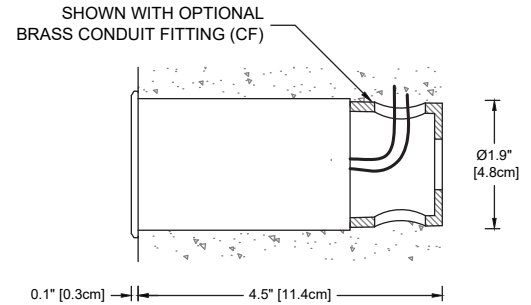
**Finish:** Unfinished is standard, no specification required. The fixture will weather to a natural patina. The patina process is natural with brass and copper. Rate of patina and eventual color is dependent upon climate and proximity to the ocean. Thus, Beachside does not guarantee any specific appearance.



Certified by DarkSky.org



**SUITABLE FOR  
WET LOCATIONS  
AND INDOOR &  
OUTDOOR USE**



IP 67  
CSA Listed, file #190030  
10 year fixture warranty  
5 year LED module warranty  
3 year MR11 LED lamp warranty

Project	By	Date
For ordering purposes, please specify (example: <b>E3-RL—2W-A-MR11-NFL—DM</b> )		
<b>E3-RL</b>		
Fixture	Lamp / Beam	Accessory(ies)