

E3-SQL

The E3-SQL is a square, recessed, louvered steplight with a minimal 2.17" (55mm) footprint. Positioning of louvers milled at 30° angle throw light out and down without glare at fixture level.

Construction Solid brass trim with brass cylindrical lamp compartment. PVC outer housing.

Lens Frosted, tempered soda lime glass.

Voltage 12 Volts AC / DC. Remote transformer required.

Mounting Ground, ceiling, or wall-mount installation in masonry or wood. No mounting accessory is needed for core drill applications. Optional Deck Mount accessory allows for adaptation to wood deck of varying thicknesses. Optional brass Conduit Fitting features two side and one bottom 1/2" NPT threaded holes for remote splicing and/or applications with limited depth. Concrete Form Kit secures the fixture Housing vertically or horizontally in a form for installation in new concrete. Trim and lamp compartment are friction-fit into sleeve using o-rings, eliminating the need for visible fasteners.

Lamps LED, Triac dimmable: MLV >6% typ., ELV >16% typ.

Cree XPE2	___ 2W-A-SP	10° spot		
2W AMBER (1500K)	___ 2W-A-NFL	30° narrow flood	19.6 cd	5.9 lm
TURTLE FRIENDLY	___ 2W-A-FL	50° flood	10.5 cd	4.7 lm
Cree XPG2	___ 3W-SP	10° spot		
3W Warm White	___ 3W-NFL	30° narrow flood	47.5 cd	15.4 lm
(3000K)*	___ 3W-FL	50° flood	30.7 cd	13.5 lm

* Also available in 2700K. Add color suffix to lamp specification, e.g. "3W-NFL-2700K"

MR11 LED, Triac dimmable >25%

Cree chipset	___ 2W-A-MR11-NFL	30° narrow flood
2W AMBER (1500K)		
TURTLE FRIENDLY		

2700K

3000K

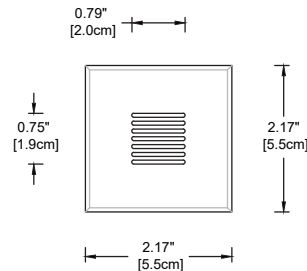
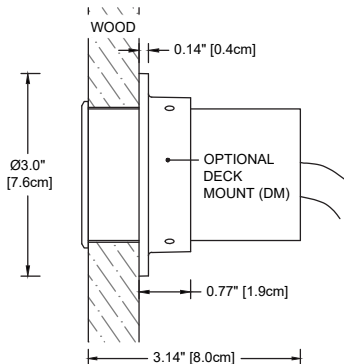
Cree chipset	___ 2W-MR11-SP-27	___ 2W-MR11-SP-30	15° spot
2 Watt Warm White	___ 2W-MR11-NFL-27	___ 2W-MR11-NFL-30	30° narrow flood
	___ 2W-MR11-FL-27	___ 2W-MR11-FL-30	60° flood

Mounting (None needed for Core Drill Applications)

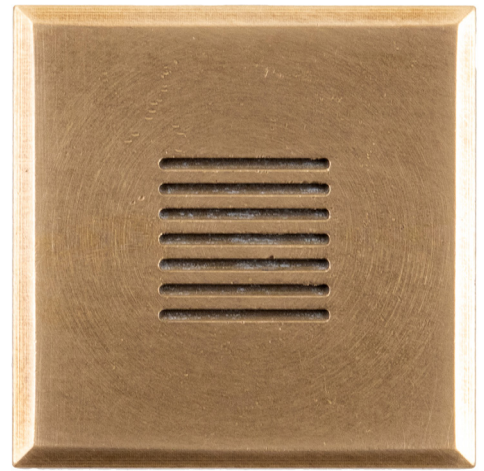
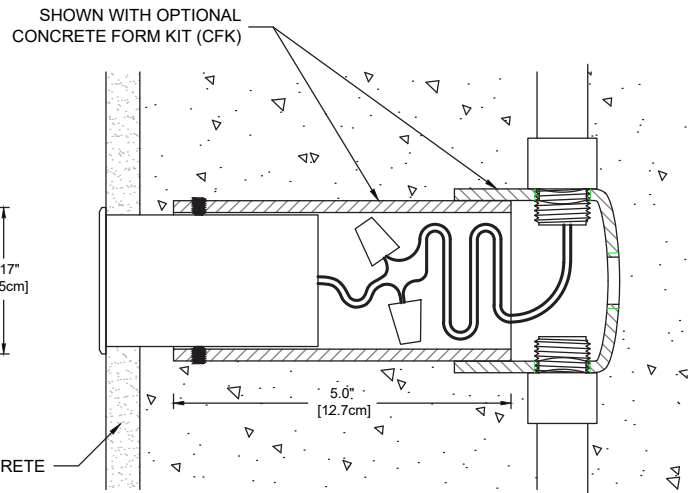
Accessories

___ CF	Conduit Fitting (Limited Depth / Remote Splice)
___ CFK	Concrete Form Kit
___ DM	Deck Mount adapter ring for wooden decks

Finish: Unfinished is standard, no specification required. The fixture will weather to a natural patina. The patina process is natural with brass and copper. Rate of patina and eventual color is dependent upon climate and proximity to the ocean. Thus, Beachside does not guarantee any specific appearance.



SHOWN INSTALLED IN STUCCO OVER CONCRETE



SUITABLE FOR WET LOCATIONS AND INDOOR & OUTDOOR USE

IP 67
CSA Listed, file #190030
10 year fixture warranty
5 year LED module warranty
3 year MR11 LED lamp warranty

Project _____	By _____	Date _____
For ordering purposes, please specify (example: E3-SQL—2W-MR11-NFL-27—DM)		
E3-SQL		
Fixture _____	Lamp / Beam _____	Accessory(ies) _____