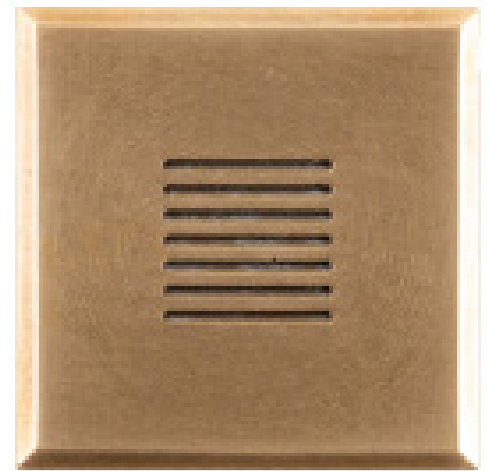


E3-SQL



Wildlife Lighting
Certification Number
2018-029



The E3-SQL is a square, recessed, louvered steplight with a minimal 2.17" (55mm) footprint. Positioning of louvers milled at 30° angle throw light out and down without glare at fixture level.

Construction Solid brass trim with brass cylindrical lamp compartment. PVC outer housing.

Lens Frosted, tempered soda lime glass.

Voltage 12 Volts AC / DC. Remote transformer required.

Mounting Ground, ceiling, or wall-mount installation in masonry or wood. No mounting accessory is needed for core drill applications. Optional Deck Mount accessory allows for adaptation to wood deck of varying thicknesses. Optional brass Conduit Fitting features two side and one bottom 1/2" NPT threaded holes for remote splicing and/or applications with limited depth. Concrete Form Kit secures the fixture Housing vertically or horizontally in a form for installation in new concrete. Trim and lamp compartment are friction-fit into sleeve using o-rings, eliminating the need for visible fasteners.

Lamps LED, Triac dimmable: MLV >6% typ., ELV >16% typ.

Cree XPE2 2 Watt AMBER (1500K)	— 2W-A-SP	10° spot		
	— 2W-A-NFL	30° narrow flood	11.5 cd	4.0 lm
	— 2W-A-FL	50° flood	7.2 cd	3.2 lm

Cree XPE2 2 Watt RED-ORANGE (1000K)	— 2W-RO-SP	10° spot		
	— 2W-RO-NFL	30° narrow flood		
	— 2W-RO-FL	50° flood		

MR11 LED, Triac dimmable >25%

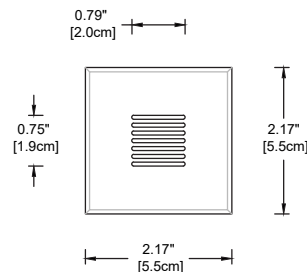
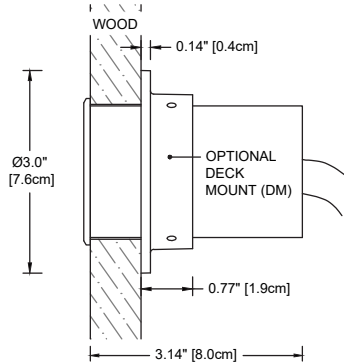
Cree chipset 2 Watt AMBER (1500K)	— 2W-A-MR11-NFL	30° narrow flood		
--------------------------------------	------------------------	------------------	--	--

Mounting (None needed for Core Drill Applications)

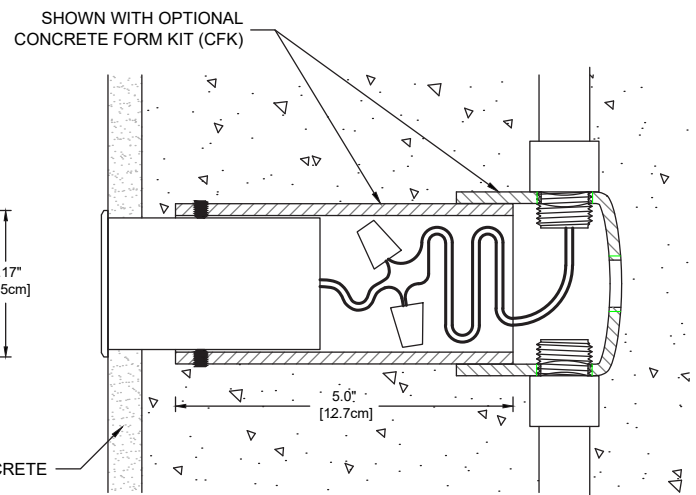
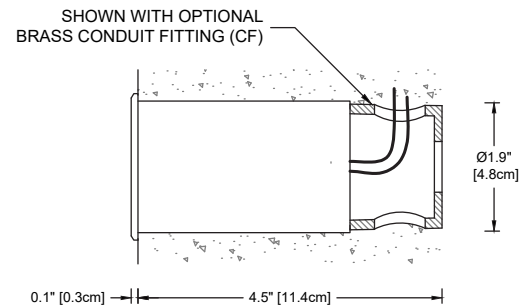
Accessories

— CF	Conduit Fitting (Limited Depth / Remote Splice)
— CFK	Concrete Form Kit
— DM	Deck Mount adapter ring for wooden decks

Finish: Unfinished is standard, no specification required. The fixture will weather to a natural patina. The patina process is natural with brass and copper. Rate of patina and eventual color is dependent upon climate and proximity to the ocean. Thus, Beachside does not guarantee any specific appearance.



SHOWN INSTALLED IN STUCCO OVER CONCRETE



IP 67
CSA Listed, file #190030
10 year fixture warranty
5 year LED module warranty
3 year MR11 LED lamp warranty



SUITABLE FOR WET LOCATIONS AND
INDOOR & OUTDOOR USE

Project	By	Date
For ordering purposes, please specify (example: E3-SQL—2W-A-MR11-NFL—DM)		
E3-SQL		
Fixture	Lamp / Beam	Accessory(ies)