

E4

The E4 is an unobtrusive, low-voltage, directional fixture. Its minimalist design brings attention to the lamp's effect, not to the fixture itself. The E4 takes advantage of LED modules that can produce 10°-120° beam spreads with just a simple change of our line of field-serviceable optics.

- Construction** All brass components. 1/8" [3mm] thick brass housing.
- Lens** Tempered soda lime glass, stepped to prevent pooling of water on lens.
- Voltage** 12 Volts AC/DC with integral driver (9-15V input, dimmable below 9V). Remote transformer required.
- Mounting** Two #8 x 2" long brass wood screws (included) secure canopy to the mounting surface. Sleeve between U-bracket and canopy allows clockwise / counterclockwise aiming of fixture and locks position via a set screw. Fixture canopy accepts wiring from the back. Two semicircular cutouts, one at the top and one at the bottom of the canopy, accept surface run wiring. Silicone-filled wire nuts (included) allow splicing within the canopy.

Lamps

Triac dimmable: MLV >6% typ., ELV >16% typ.

	Beam/Field	Candela	Lumens	Efficacy
Cree XPE2 LED 2 Watt AMBER (1500K)	___ 2W-A-SP 10° / 20°	1366	65	29
	___ 2W-A-NFL 14° / 31°	587	64	29
	___ 2W-A-FL 29° / 61°	140	53	24
	___ 2W-A-NO 46° / 114°	15	14	6
Cree XPE2 LED 2 Watt RED-ORANGE (1000K)	___ 2W-RO-SP 10° / 18°	2841	123	54
	___ 2W-RO-NFL 13° / 28°	1483	119	52
	___ 2W-RO-FL 32° / 56°	229	81	35
	___ 2W-RO-NO 49° / 114°	32	32	14

(AMBER and RED-ORANGE directionals not FFVCC certified)

	Beam/Field	Candela	Lumens	Efficacy	CRI 83
Cree XPG2 LED 3 Watt Warm White (3000K)*	___ 3W-SP 13° / 24°	2689	202	69	
	___ 3W-NFL 17° / 37°	1214	177	61	
	___ 3W-FL 30° / 62°	395	156	54	
	___ 3W-NO 47° / 86°	42	37	13	

* Also available in 2700K. Add color suffix to lamp specification, e.g. "3W-NFL-2700K"

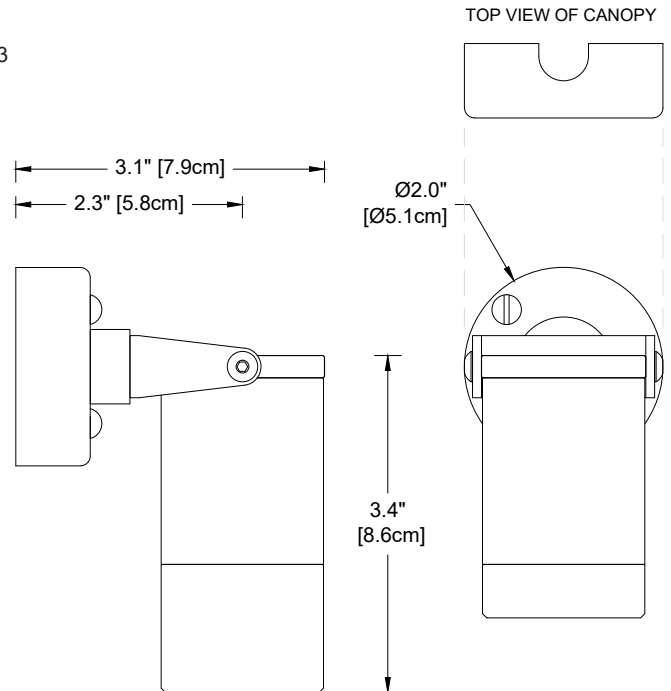
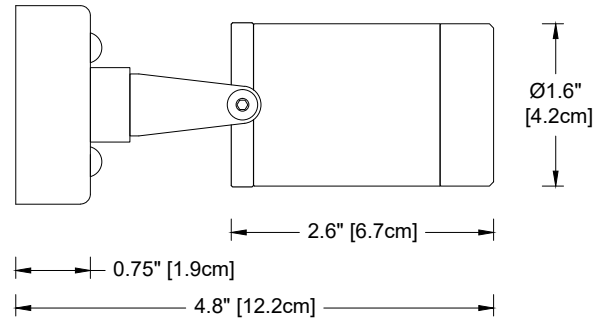
Optical Accessories Fixture can accommodate up to two 1/8"-thick optical accessories or one accessory + CTO filter if used in conjunction with the 'NO' optic.

- ___ **CTO-1/4-1.36** Color Temperature Orange filter 1/4
- ___ **CTO-1/2-1.36** Color Temperature Orange filter 1/2
- ___ **CTO-3/4-1.36** Color Temperature Orange filter 3/4
- ___ **FR8** Frosted lens
- ___ **HL8** Honeycomb louver, 1/8" [3mm] thick
- ___ **KP** Extended snoot (no weep hole) for DOWNLIGHTING only
- ___ **PR8** Prismatic spread lens
- ___ **RT8** Rectilinear spread lens

Finish: Unfinished is standard; no specification required. The fixture will weather to a natural patina. The patina process is natural with brass and copper. Rate of patina and eventual color is dependent upon climate and proximity to the ocean. Thus, Beachside does not guarantee any specific appearance.

Weight: 1.6 lbs [0.7 kg]

IP 66
CSA Listed, file #190030
10 year fixture warranty
5 year Cree LED module warranty



E4 with KP accessory



SUITABLE FOR
INDOOR AND
OUTDOOR USE

Project	By	Date
For ordering purposes, please specify (example: E4-2W-A-SP-FR8-HL8)		
E4		
Fixture	Lamp	Accessory(ies)