

E8-30-BGS8-SA-WL

The E8-30-BGS8-SA-WL is an unobtrusive, low-voltage, directional fixture. It is limited to a maximum 30° angle from vertical and is supplied with an angled glare shield. The LED source is Wildlife Friendly in true Amber or Red-Orange with peak wavelengths of 598 and 621 nanometers, respectively. Its minimalist design brings attention to the lamp's effect, not to the fixture itself. The E8-30-BGS8-SA-WL takes advantage of LED modules that can produce a range of beam spreads with just a simple change of our line of field-serviceable optics.



Construction All brass components. 1/8" [3mm] thick brass housing.

Lens Tempered glass, stepped to prevent pooling of water on lens

Voltage 12 Volts AC / DC with integral driver (9-15V input, dimmable below 9V). Remote transformer required.

LED Integrated. Triac dimmable: MLV >6% typ., ELV >16% typ.

Cree XPE2 LED 2 Watt AMBER (1500K) 592 / 598 nm	___ 2W-A-SP	10° Beam, 20° Field	1366 cd	65 lm	29 lm/W
	___ 2W-A-NFL	14° Beam, 31° Field	587 cd	64 lm	29 lm/W
	___ 2W-A-FL	29° Beam, 61° Field	140 cd	53 lm	24 lm/W
	___ 2W-A-NO	46° Beam, 114° Field	15 cd	14 lm	6 lm/W
Cree XPE2 LED 2 Watt RED-ORANGE (1000K) 611 / 621 nm	___ 2W-RO-SP	10° Beam, 18° Field	2841 cd	123 lm	54 lm/W
	___ 2W-RO-NFL	13° Beam, 28° Field	1483 cd	119 lm	52 lm/W
	___ 2W-RO-FL	32° Beam, 56° Field	229 cd	81 lm	35 lm/W
	___ 2W-RO-NO	49° Beam, 114° Field	32 cd	32 lm	14 lm/W

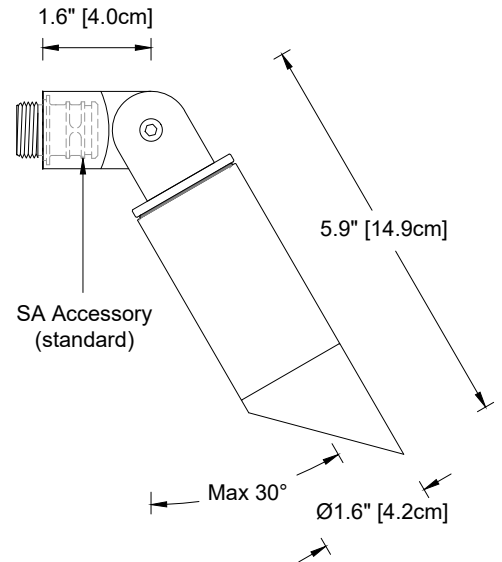
Optical Accessories

<input checked="" type="checkbox"/> BGS8	Brass glare shield, 45° cutoff (STANDARD)
___ CTO-1/4-1.36	Color Temperature Orange filter 1/4
___ CTO-1/2-1.36	Color Temperature Orange filter 1/2
___ CTO-3/4-1.36	Color Temperature Orange filter 3/4
___ FR8	Frosted lens, 1/8" [3mm] thick
___ HL8	Honeycomb louver, 1/8" [3mm] thick
___ PR8	Prismatic spread lens, 1/8" [3mm] thick
___ RT8	Rectilinear spread lens, 1/8" [3mm] thick
___ SL8	Solite (Soft Focus) lens, 1/8" [3mm] thick

Maximum (2) 1/8" thick optical accessories

Mounting Accessories

<input checked="" type="checkbox"/> SA	Sure Aim locking rotation accessory (STANDARD)
___ TDM1	Brass tree/deck mount with stainless steel screws
___ TDM2-___	Brass tree mount with nylon strap (48, 72, or 96")
___ TDM2SS-___	Brass tree mount with stainless steel strap (48, 72, or 96")
___ TDM3	Brass low-profile deck/wall mount
___ TDM4	Brass low-profile tree mount with notch for wire
___ TMJB-___	Brass tree-mounted junction box, single fixture mount, stainless steel strap (48, 72, or 96")
___ TMJBX	Brass tree-mounted junction box, single fixture mount, stainless steel screws
___ VTM	Brass rectangular j-box, direct mount or as part of VTM-PALM
___ VTM-PALM	Set of up to four VTM junction boxes, stainless steel strap (70 or 88"), and wiring. See spec. sheet for details.



This directional downlight is certified by DarkSky International **when mounted on a VERTICAL surface and aimed downward**. This fixture will not work nor be DarkSky compliant if mounted to a horizontal surface such as the ground or ceiling.



SUITABLE FOR INDOOR AND OUTDOOR USE

Weight: 1.6 lbs. [0.7 kg] (excludes Mounting Accessories)

Finish: Unfinished is standard; no specification required. The fixture will weather to a natural patina. The patina process is natural with brass and copper. Rate of patina and eventual color is dependent upon climate and proximity to the ocean. Thus, Beachside does not guarantee any specific appearance.

IP 66
CSA Listed, file #190030
10 year fixture warranty
5 year Cree LED module warranty

Project	By	Date
For ordering purposes, please specify (example: E8-30—2W-A-SP—BGS8—CTO-1/2-1.36—HL8—SA-WL)		
E8-30	BGS8	SA-WL
Fixture	Lamp	Accessory