

E8-30-BGS8-SA

The E8-30-BGS8-SA is an unobtrusive, low-voltage, directional fixture. It is limited to a maximum 30° angle from vertical and is supplied with an angled glare shield. Its minimalist design brings attention to the lamp's effect, not to the fixture itself. The E8-30-BGS8-SA takes advantage of LED modules that can produce a range of beam spreads with just a simple change of our line of field-serviceable optics.

Construction All brass components. 1/8" [3mm] thick brass housing.

Lens Tempered glass, stepped to prevent pooling of water on lens

Voltage 12 Volts AC / DC with integral driver (9-15V input, dimmable below 9V). Remote transformer required.

Lamps Triac dimmable: MLV >6% typ., ELV >16% typ.

Cree XPE2 LED 2 Watt AMBER (1500K)	___ 2W-A-SP	10° Beam, 20° Field	1366 cd	65 lm	29 lm/W
	___ 2W-A-NFL	14° Beam, 31° Field	587 cd	64 lm	29 lm/W
	___ 2W-A-FL	29° Beam, 61° Field	140 cd	53 lm	24 lm/W
	___ 2W-A-NO	46° Beam, 114° Field	15 cd	14 lm	6 lm/W
Cree XPE2 LED 2 Watt RED-ORANGE (1000K)	___ 2W-RO-SP	10° Beam, 18° Field	2841 cd	123 lm	54 lm/W
	___ 2W-RO-NFL	13° Beam, 28° Field	1483 cd	119 lm	52 lm/W
	___ 2W-RO-FL	32° Beam, 56° Field	229 cd	81 lm	35 lm/W
	___ 2W-RO-NO	49° Beam, 114° Field	32 cd	32 lm	14 lm/W
Cree XPG2 LED 3 Watt Warm White (3000K)*	___ 3W-SP	13° Beam, 24° Field	2689 cd	202 lm	69 lm/W
	___ 3W-NFL	17° Beam, 37° Field	1214 cd	177 lm	61 lm/W
	___ 3W-FL	30° Beam, 62° Field	395 cd	156 lm	54 lm/W
	___ 3W-NO	47° Beam, 86° Field	42 cd	37 lm	13 lm/W
Cree XPG2 LED 4 Watt Warm White (3000K)*	___ 4W-SP	13° Beam, 24° Field	3399 cd	249 lm	64 lm/W
	___ 4W-NFL	17° Beam, 38° Field	1514 cd	230 lm	59 lm/W
	___ 4W-FL	30° Beam, 62° Field	492 cd	194 lm	50 lm/W
	___ 4W-NO**	71° Beam, 121° Field	55 cd	81 lm	21 lm/W

* Also available in 2700K. Add color suffix to lamp specification, e.g. "3W-NFL-2700K"

** When the 4W lamp is specified with No Optic, only one optical accessory may be used.

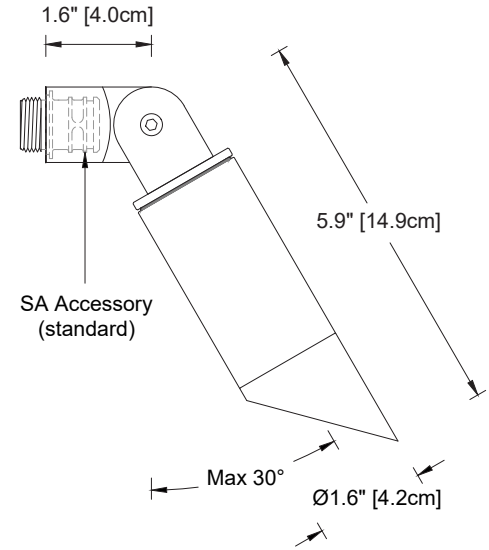
Optical Accessories	<input checked="" type="checkbox"/> BGS8	Brass glare shield, 45° cutoff (STANDARD)
	___ CTO-1/4-1.36	Color Temperature Orange filter 1/4
	___ CTO-1/2-1.36	Color Temperature Orange filter 1/2
	___ CTO-3/4-1.36	Color Temperature Orange filter 3/4
	___ FR8	Frosted lens, 1/8" [3mm] thick
	___ HL8	Honeycomb louver, 1/8" [3mm] thick
	___ PR8	Prismatic spread lens, 1/8" [3mm] thick
	___ RT8	Rectilinear spread lens, 1/8" [3mm] thick
	___ SL8	Solite (Soft Focus) lens, 1/8" [3mm] thick

Maximum (2) 1/8" thick optical accessories or (1) 1/8" thick optical accessory w/ 4W-NO lamp

Mounting Accessories	<input checked="" type="checkbox"/> SA	Sure Aim locking rotation accessory (STANDARD)
	___ TDM1	Brass tree/deck mount with stainless steel screws
	___ TDM2-___	Brass tree mount with nylon strap (48, 72, or 96")
	___ TDM2SS-___	Brass tree mount with stainless steel strap (48, 72, or 96")
	___ TDM3	Brass low-profile deck/wall mount
	___ TDM4	Brass low-profile tree mount with notch for wire
	___ TMJB-___	Brass tree-mounted j-box, single fixture, stainless steel strap (48, 72, or 96")
	___ TMJBX	Brass tree-mounted j-box, single fixture, stainless steel screws
	___ VTM	Brass rectangular j-box, direct mount or as part of VTM-PALM
	___ VTM-PALM	Set of up to four VTM junction boxes, stainless steel strap (70 or 88"), and wiring. See spec. sheet for details.

Weight: 1.6 lbs. [0.7 kg] (excludes Mounting Accessories)

Finish: Unfinished is standard; no specification required. The fixture will weather to a natural patina. The patina process is natural with brass and copper. Rate of patina and eventual color is dependent upon climate and proximity to the ocean. Thus, Beachside does not guarantee any specific appearance.



CRI 83

CRI 81



SUITABLE FOR
INDOOR AND
OUTDOOR USE

This directional downlight is certified by DarkSky International when mounted on a VERTICAL surface and aimed downward. This fixture will not work nor be DarkSky compliant if mounted to a horizontal surface such as the ground or ceiling.



Certified by DarkSky.org
when using long wavelength
Amber & Red Orange LED



Certified by DarkSky.org

IP 66
CSA Listed, file #190030
10 year fixture warranty
5 year Cree LED module warranty

Project	By	Date
For ordering purposes, please specify (example: E8-30—2W-A-SP—BGS8—CTO-1/2-1.36—HL8—SA)		
E8-30	BGS8	SA
Fixture	Lamp	Accessory
		Accessory
		Accessory