

# E8-S2

The E8-S2 is a solid brass, low-voltage, dual directional fixture on a brass riser. Aiming is to vertical, up or down. Dual heads allow extra coverage from a single fixture location. The E8-S2 takes advantage of LED modules that can produce a range of beam spreads with just a simple change of our line of field-serviceable optics.

**Construction** All brass components. 1/8" [3mm] thick brass housings. 1/2" schedule 40 brass stem.

**Lens** Tempered glass, stepped to prevent pooling of water on lens.

**Voltage** 12 Volts AC / DC with integral driver (9 - 15V input, dimmable below 9V). Remote transformer required.

**Stem Height** Custom stem heights available upon request. Standard stem heights are:

- **8** 8" [20 cm]
- **12** 12" [30 cm]
- **16** 16" [40 cm]
- **20** 20" [51 cm]

**Lamps (2X)** Triac dimmable: MLV >6% typ., ELV >16% typ.

	Beam/Field	Candela	Lumens	Efficacy	
Cree XPE2 LED 2 Watt AMBER (1500K)	— <b>2W-A-SP</b>	10° / 20°	1366	65	29
	— <b>2W-A-NFL</b>	14° / 31°	587	64	29
	— <b>2W-A-FL</b>	29° / 61°	140	53	24
	— <b>2W-A-NO</b>	46° / 114°	15	14	6
Cree XPE2 LED 2 Watt RED-ORANGE (1000K)	— <b>2W-RO-SP</b>	10° / 18°	2841	123	54
	— <b>2W-RO-NFL</b>	13° / 28°	1483	119	52
	— <b>2W-RO-FL</b>	32° / 56°	229	81	35
	— <b>2W-RO-NO</b>	49° / 114°	32	32	14
Cree XPG2 LED 3 Watt Warm White (3000K)*	— <b>3W-SP</b>	13° / 24°	2689	202	69
	— <b>3W-NFL</b>	17° / 37°	1214	177	61
	— <b>3W-FL</b>	30° / 62°	395	156	54
	— <b>3W-NO</b>	47° / 86°	42	37	13
Cree XPG2 LED 4 Watt Warm White (3000K)*	— <b>4W-SP</b>	13° / 24°	3399	249	64
	— <b>4W-NFL</b>	17° / 38°	1514	230	59
	— <b>4W-FL</b>	30° / 62°	492	194	50
	— <b>4W-NO**</b>	71° / 121°	55	81	21

\* Also available in 2700K. Add color suffix to lamp specification, e.g. "3W-NFL-2700K"

\*\* When 4W lamp is specified with No Optic, only one optical accessory may be used.

## Optical Accessories

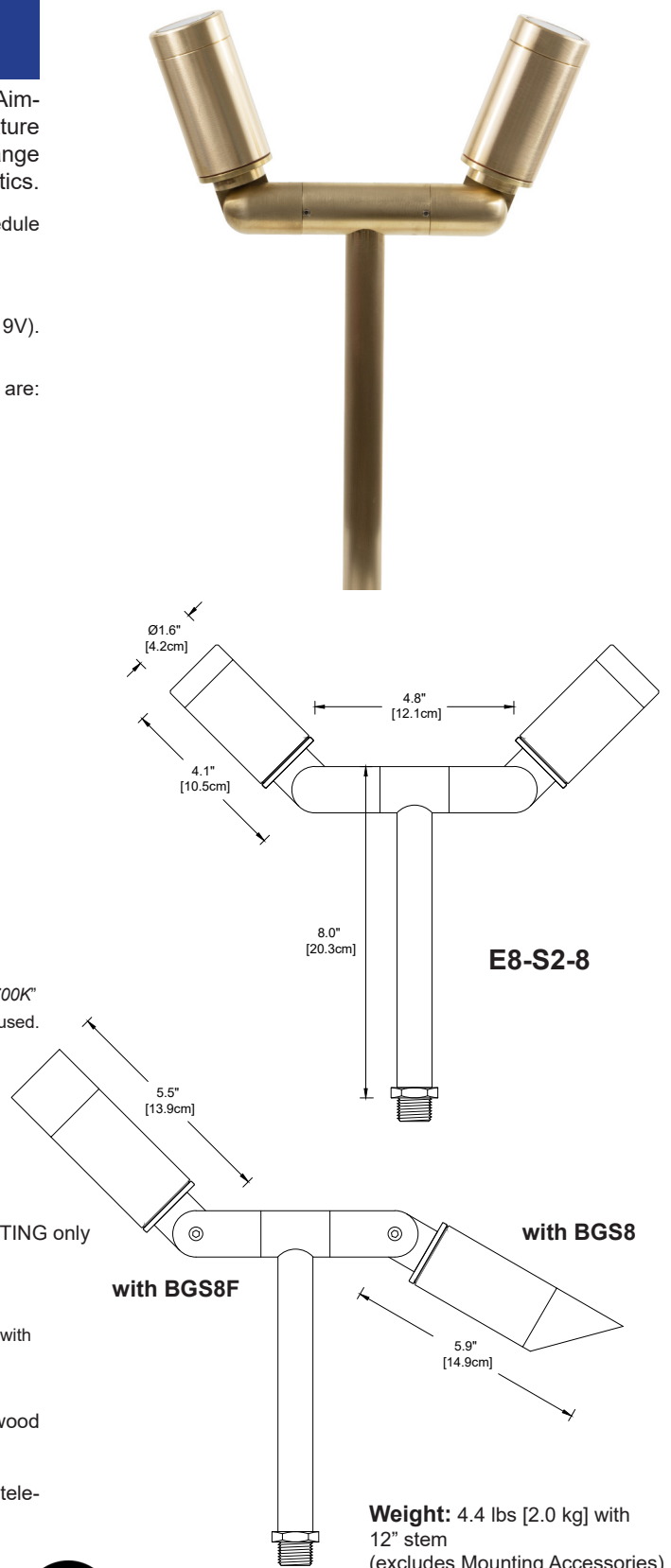
- **BGS8** Brass glare shield, 45° cutoff
- **BGS8F** Brass glare shield, full cutoff with weep hole
- **CTO-1/4-1.36** Color Temperature Orange filter 1/4
- **CTO-1/2-1.36** Color Temperature Orange filter 1/2
- **CTO-3/4-1.36** Color Temperature Orange filter 3/4
- **FR8** Frosted lens, 1/8" [3mm] thick
- **HL8** Honeycomb louver, 1/8" [3mm] thick
- **KP** Extended snoot (no weep hole) for DOWNLIGHTING only
- **PR8** Prismatic spread lens, 1/8" [3mm] thick
- **RT8** Rectilinear spread lens, 1/8" [3mm] thick
- **SL8** Solite (Soft Focus) lens, 1/8" [3mm] thick

Maximum (2) 1/8" thick optical accessories, or (1) 1/8" thick optical accessory with 4W-NO

**Mounting Accessories** 1/2" male threads. Mounts into any standard j-box or:

- **BSB** Brass surface-mounted box for concrete or wood
- **GS2** Heavy-duty ground spike
- **GS2BC** Heavy-duty ground spike with cast brass cap
- **GS3R** Heavy-duty ground spike with brass cap for telescoping fixture riser
- **GS4** Standard ground spike with cast brass cap
- **JB** Cast brass junction box

**Finish:** Unfinished is standard—no specification required. The fixture will weather to a natural patina, a natural process with brass and copper. Rate of patina and eventual color depends upon climate and proximity to the ocean. Thus, Beachside does not guarantee any specific appearance.



**Weight:** 4.4 lbs [2.0 kg] with 12" stem (excludes Mounting Accessories)

**CSA** **US** **SUITABLE FOR INDOOR AND OUTDOOR USE**

IP 66  
CSA Listed, file #190030  
10 year fixture warranty  
3 year LED module warranty

Project		By		Date		
For ordering purposes, please specify (example: <b>E8-S2-8-2W-A-SP-FR8-BGS8-2W-A-FL-RT8-BGS8-GS4</b> )						
<b>E8-S2</b>	Stem Height	Lamp 1	Accessory(ies) Lamp 1	Lamp 2	Accessory(ies) Lamp 2	Other Accessory(ies)