

E8

The E8 is an unobtrusive, low-voltage, directional fixture. Its minimalist design brings attention to the lamp's effect, not to the fixture itself. The E8 takes advantage of LED modules that can produce a range of beam spreads with just a simple change of our line of field-serviceable optics.

Construction All brass components. 1/8" [3mm] thick brass housing.

Lens Tempered glass, stepped to prevent pooling of water on lens

Voltage 12 Volts AC / DC with integral driver (9-15V input, dimmable below 9V). Remote transformer required.

Lamps Triac dimmable: MLV >6% typ., ELV >16% typ.

Cree XPE2 LED 2 Watt AMBER (1500K)	___ 2W-A-SP	10° Beam, 20° Field	1366 cd	65 lm	29 lm/W	
	___ 2W-A-NFL	14° Beam, 31° Field	587 cd	64 lm	29 lm/W	
	___ 2W-A-FL	29° Beam, 61° Field	140 cd	53 lm	24 lm/W	
	___ 2W-A-NO	46° Beam, 114° Field	15 cd	14 lm	6 lm/W	
Cree XPE2 LED 2 Watt RED-ORANGE (1000K)	___ 2W-RO-SP	10° Beam, 18° Field	2841 cd	123 lm	54 lm/W	
	___ 2W-RO-NFL	13° Beam, 28° Field	1483 cd	119 lm	52 lm/W	
	___ 2W-RO-FL	32° Beam, 56° Field	229 cd	81 lm	35 lm/W	
	___ 2W-RO-NO	49° Beam, 114° Field	32 cd	32 lm	14 lm/W	
Cree XPG2 LED 3 Watt Warm White (3000K)*	___ 3W-SP	13° Beam, 24° Field	2689 cd	202 lm	69 lm/W	CRI 83
	___ 3W-NFL	17° Beam, 37° Field	1214 cd	177 lm	61 lm/W	
	___ 3W-FL	30° Beam, 62° Field	395 cd	156 lm	54 lm/W	
	___ 3W-NO	47° Beam, 86° Field	42 cd	37 lm	13 lm/W	
Cree XPG2 LED 4 Watt Warm White (3000K)*	___ 4W-SP	13° Beam, 24° Field	3399 cd	249 lm	64 lm/W	CRI 81
	___ 4W-NFL	17° Beam, 38° Field	1514 cd	230 lm	59 lm/W	
	___ 4W-FL	30° Beam, 62° Field	492 cd	194 lm	50 lm/W	
	___ 4W-NO**	71° Beam, 121° Field	55 cd	81 lm	21 lm/W	

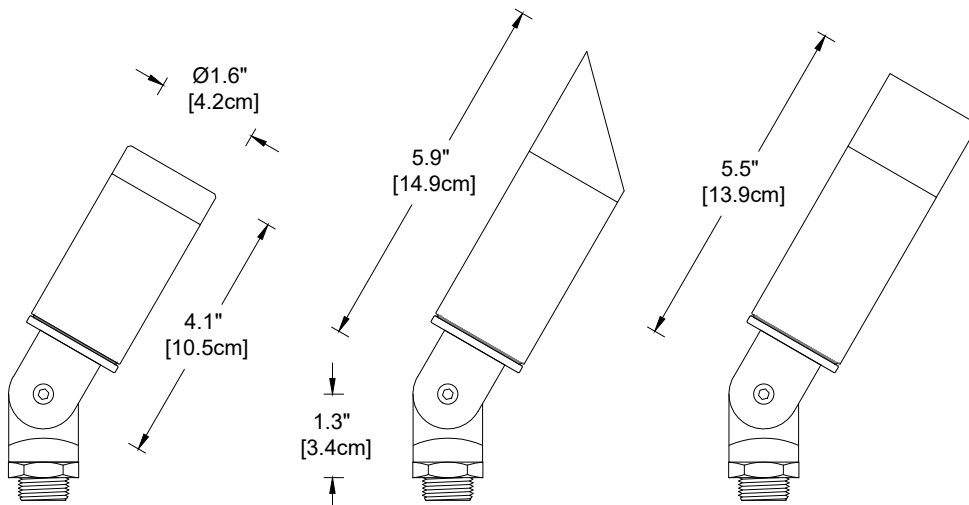
* Also available in 2700K. Add color suffix to lamp specification, e.g. "3W-NFL-2700K"

** When the 4W lamp is specified with No Optic, only one optical accessory may be used.

Optical Accessories

___ BGS8	Brass glare shield, 45° cutoff
___ BGS8F	Brass glare shield, full cutoff with weep hole
___ CTO-1/4-1.36	Color Temperature Orange filter 1/4
___ CTO-1/2-1.36	Color Temperature Orange filter 1/2
___ CTO-3/4-1.36	Color Temperature Orange filter 3/4
___ FR8	Frosted lens, 1/8" [3mm] thick
___ HL8	Honeycomb louver, 1/8" [3mm] thick
___ KP	Extended snoot (no weep hole) for DOWNLIGHTING only
___ PR8	Prismatic spread lens, 1/8" [3mm] thick
___ RT8	Rectilinear spread lens, 1/8" [3mm] thick
___ SL8	Solite (Soft Focus) lens, 1/8" [3mm] thick

Maximum (2) 1/8" thick optical accessories, or (1) 1/8" thick optical accessory w/ 4W-NO



E8



E8 with BGS8 Accessory



E8 with BGS8F Accessory



SUITABLE FOR INDOOR
AND OUTDOOR USE

