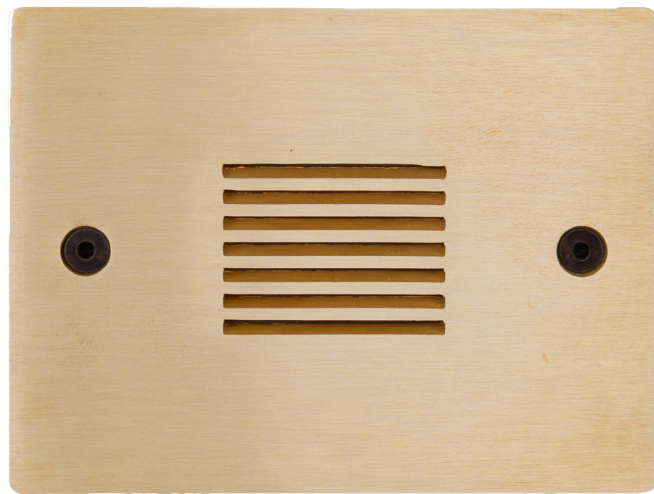


# E9-RCL



Wildlife Lighting  
Certification Number  
2018-029

The E9-RCL is a rectangular, brass, recessed fixture with a louvered faceplate for mounting in floors, walls, or ceilings.



**E9-RCL:** Surface-mounted trim

**E9-RCL-CR:** Adds CONCRETE RING for flush-mounted, recessed trim

**Construction** Solid brass faceplate. Copper outer housing with wiring compartment, (2) 1/2" NPT taps in rear, and (2) #6-32 black oxide stainless steel screws.

**Lens** Tempered, frosted soda lime glass

**Voltage** 12 Volts AC / DC. Remote transformer required.

**Lamps** Integrated LED light engine  
Triac dimmable: MLV >6% typ, ELV >16% typ

- **2W-A-SP** spot
- **2W-A-NFL** narrow flood
- **2W-A-FL** flood
- **2W-A-NO** no optic (wide flood)

- **2W-RO-SP** spot
- **2W-RO-NFL** narrow flood
- **2W-RO-FL** flood
- **2W-RO-NO** no optic (wide flood)

MR16 LED • GU5.3

- **5W-A-NFL** 25° narrow flood

Wavelength: 597.5 nanometers (dominant)  
599.7 nanometers (peak)

- Optical Accessories\*\***
- **HL1** Honeycomb louver, 1/8" [3mm] thick
  - **PR** Prismatic spread lens
  - **RT** Rectilinear spread lens

\*\*Maximum (2) accessories.

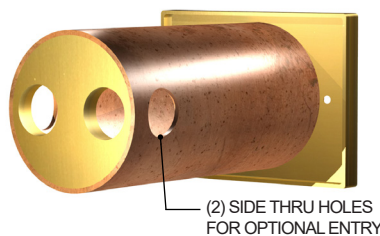
**Finish:** Unfinished is standard; no specification required. The fixture will weather to a natural patina. The patina process is natural with brass and copper. Rate of patina and eventual color is dependent upon climate and proximity to the ocean. Thus, Beachside does not guarantee any specific appearance.

**Weight:** 4.4 lbs [2.0 kg]

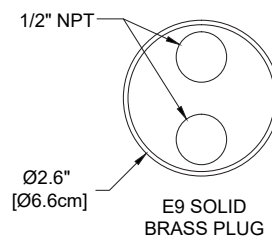
IP 67  
CSA Listed, file #190030  
10 year fixture warranty  
3 year warranty on MR16 LED lamps



SUITABLE FOR  
WET LOCATIONS  
AND INDOOR &  
OUTDOOR USE



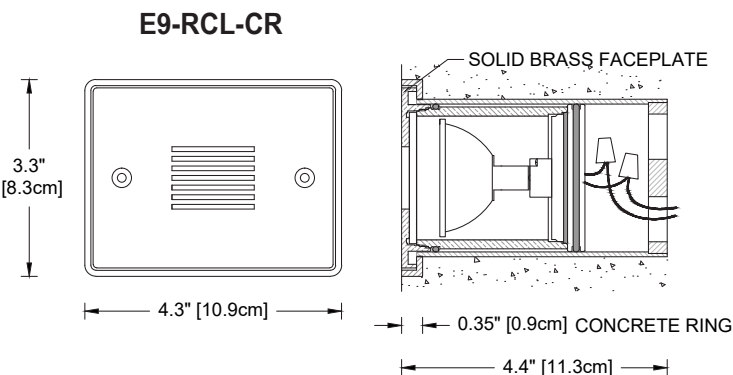
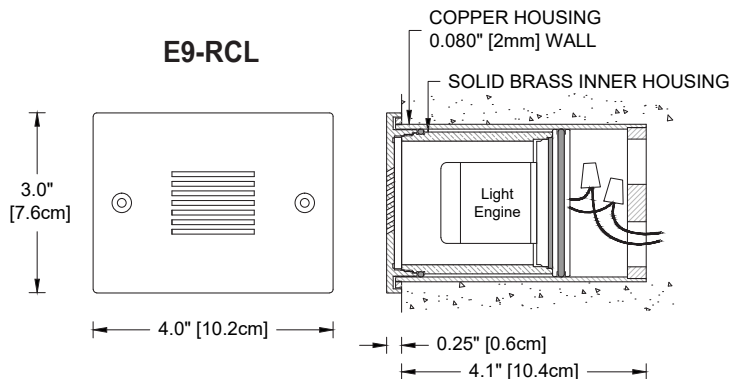
(2) SIDE THRU HOLES FOR OPTIONAL ENTRY



1/2" NPT

Ø2.6" [Ø6.6cm]

E9 SOLID BRASS PLUG



Project	By	Date
For ordering purposes, please specify (example: <b>E9-RCL-CR-5W-A-NFL-RT</b> )		
<b>E9-RCL-</b>	<b>5W-A-NFL</b>	Accessory(ies)
Fixture	Lamp	