

E9-SQ

The E9-SQ is a square, brass, recessed fixture for mounting in floors, walls, or ceilings.

E9-SQ: Surface-mounted trim. 2.5"-diameter mounting hole required.

E9-SQ-CR: Adds CONCRETE RING and PVC HOUSING for flush-mounted, recessed trim.

Construction Solid brass faceplate, trim ring, and lamp compartment. Outer PVC Housing for "CR" versions features four 1/2" NPT taps for conduit: two in the side and two in the back/bottom. Secured with two #6-32 black stainless steel screws.

Lens Tempered soda lime glass

Voltage 12 Volts AC / DC. Remote transformer required.

Lamps Integrated LED light engine
 Triac dimmable: MLV >6% typ, ELV >16% typ

	— 2W-A-SP	spot
Cree XPE2 LED	— 2W-A-NFL	narrow flood
2 Watt	— 2W-A-FL	flood
AMBER (1500K)	— 2W-A-NO	no optic (wide flood)
	— 2W-RO-SP	spot
Cree XPE2 LED	— 2W-RO-NFL	narrow flood
2 Watt	— 2W-RO-FL	flood
RED-ORANGE (1000K)	— 2W-RO-NO	no optic (wide flood)
	— 3W-SP	spot
Cree XPG2 LED	— 3W-NFL	narrow flood
3 Watt	— 3W-FL	flood
Warm White (3000K)*	— 3W-NO	no optic (wide flood)

* Also available in 2700K. Add color suffix to lamp specification, e.g. "3W-NFL-2700K"

MR16 LED • GU5.3 • Amber, Warm White (2700K/3000K)

5 Watt Cree chipset	— 5W-A-NFL	AMBER (1300K)	25° narrow flood	83 lm	
	— <u>2700K</u>	— <u>3000K</u>			
	— 5W-SP-27	— 5W-SP-30	15° spot	320 lm	85+ CRI
	— 5W-NFL-27	— 5W-NFL-30	25° narrow flood	320 lm	85+ CRI
Cree chipset	— 5W-FL-27	— 5W-FL-30	40° flood	320 lm	85+ CRI
5 Watts	— 5W-FL/60-27	— 5W-FL/60-30	60° flood	320 lm	85+ CRI
	— 5W-WFL-27	— 5W-WFL-30	100° wide flood	320 lm	85+ CRI
Lumiled chipset	— 7W-FL/60-27	— 7W-FL/60-30	60° flood	483 lm	90+ CRI
7 Watts					
	— 8W-SP-27	— 8W-SP-30	10° spot	600 lm	90 CRI
Soraa chipset	— 8W-NFL-27	— 8W-NFL-30	25° narrow flood	630 lm	90 CRI
8 Watts	— 8W-FL-27	— 8W-FL-30	36° flood	630 lm	90 CRI

Optical Accessories**

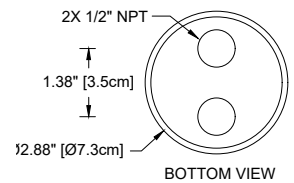
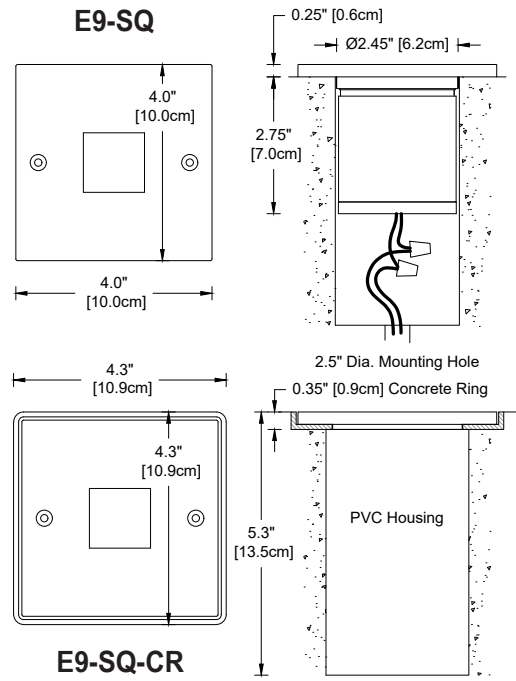
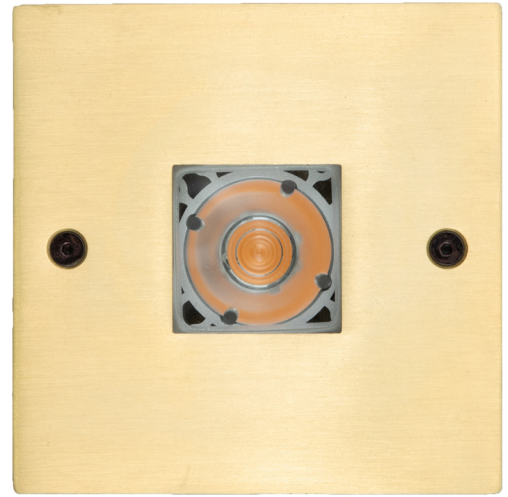
— FR	Frosted lens
— HL1	Honeycomb louver, 1/8" [3mm] thick
— HL2	Honeycomb louver, 1/4" [6mm] thick
— PR	Prismatic spread lens
— RT	Rectilinear spread lens

**Maximum (2) accessories. HL2 cannot be used with any other accessory.

Finish: Unfinished is standard; no specification required. The fixture will weather to a natural patina. The patina process is natural with brass and copper. Rate of patina and eventual color is dependent upon climate and proximity to the ocean. Thus, Beachside does not guarantee any specific appearance.

Weight: 4.4 lbs [2.0 kg]

IP 67
 CSA Listed, file #190030
 10 year fixture warranty
 3 year warranty on MR16 LED lamps
 Drive-over static load rating: 10,500 lbs (CR version only)



PVC Housing and Concrete Ring shown on E9-R-CR



Project	By	Date
For ordering purposes, please specify (example: E9-SQ-CR—5W-NFL-27—RT)		
E9-SQ-	—	—
Fixture	Lamp	Accessory(ies)