

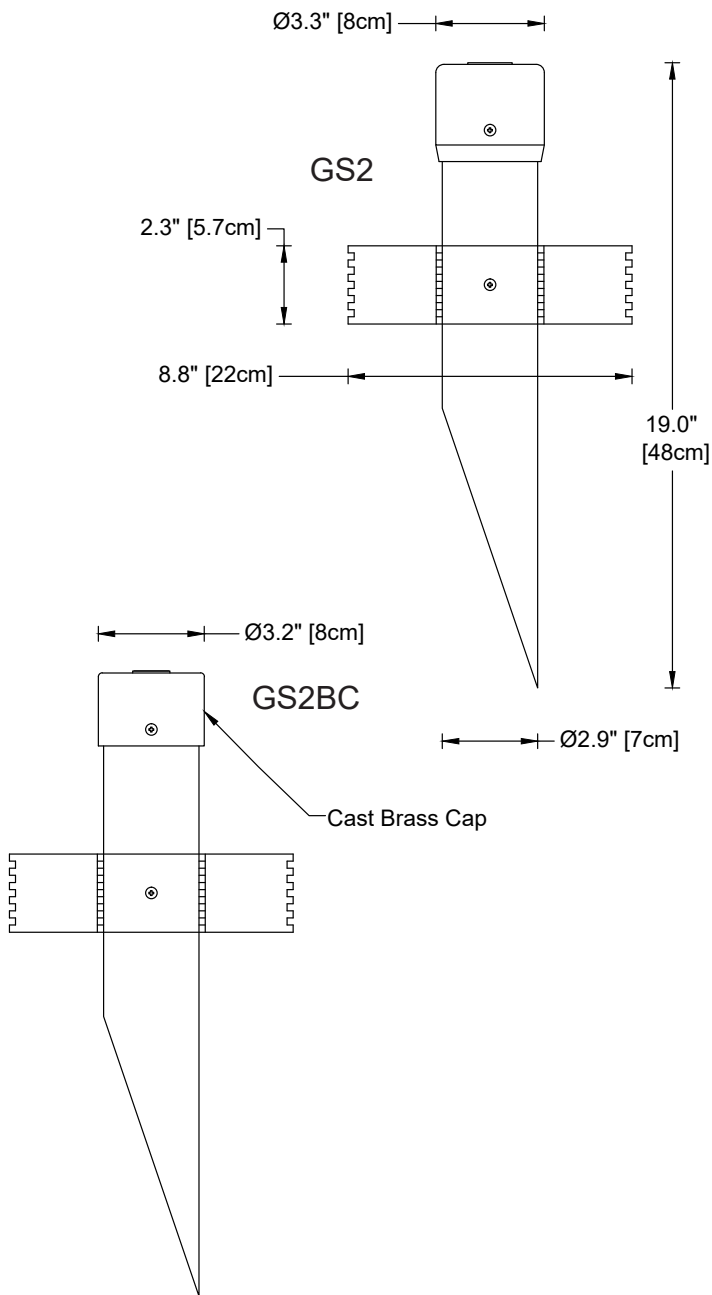
GS2 / GS2BC

The GS2 is a heavy-duty ground spike with a horizontal grid to maintain stability. Recommended for fixtures with taller stems and/or heavy fixtures. Landscape lighting cable from transformer (as well as the wire to the next fixture) can be brought up from the bottom of the GS2. Splicing with fixture wire is done just below the cap. Due to the length and wiring configuration of the GS2, a pre-dug hole is required.

An optional brass cap is available for added strength.

— **GS2** Heavy-duty Ground Spike with plastic cap

— **GS2BC** GS2 with Brass Cap



GS2



GS2BC

Project	By	Date
GS2 Accessory		