

L-010-C

The L-010-C is a brass and composite in-ground uplight. An internal bracket allows 360° rotation and angling of the lamp up to 16° before any cutoff. Available for 120V or 230V.

Construction Cast brass cover on composite housing

Lens Clear, tempered glass.

Voltage 120V or 230V AC

Lamps GU10 MR16 LED
Most lamps dim to less than 20%. See lamp manufacturer's dimmer compatibility chart.

5 Watt Cree chipset	___ 5W-A-NFL-120V	AMBER (1500K)	25° narrow fld	79 lm
	2700K	3000K		
Green Creative 5 Watts	___ 5W-NFL-27-120V	___ 5W-NFL-30-120V	25° narrow fld	390 lm
	___ 5W-FL-27-120V	___ 5W-FL-30-120V	35° flood	390 lm
	___ 8W-SP-27-120V	___ 8W-SP-30-120V	10° spot	600 lm
Soraa chipset 8 Watts	___ 8W-NFL-27-120V	___ 8W-NFL-30-120V	25° narrow fld	630 lm
	___ 8W-FL-27-120V	___ 8W-FL-30-120V	36° flood	630 lm
	___ 8W-WFL-27-120V	___ 8W-WFL-30-120V	60° wide fld	630 lm

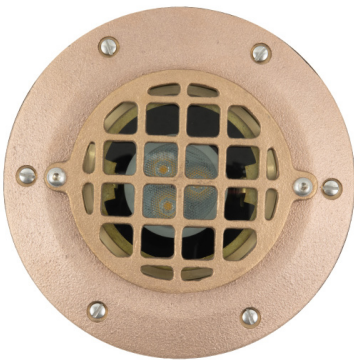
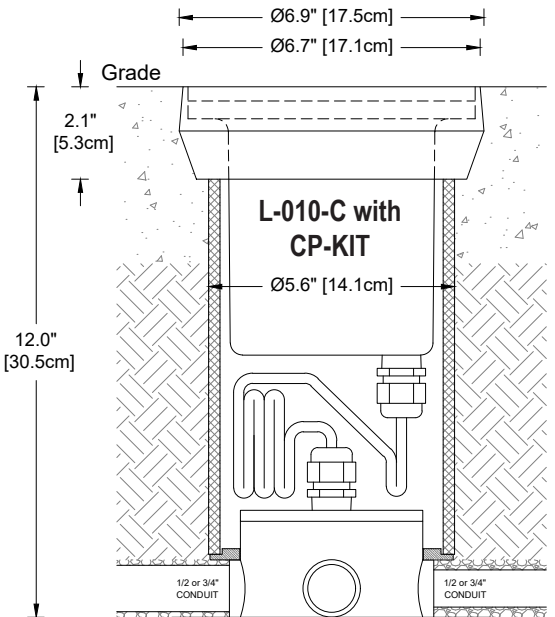
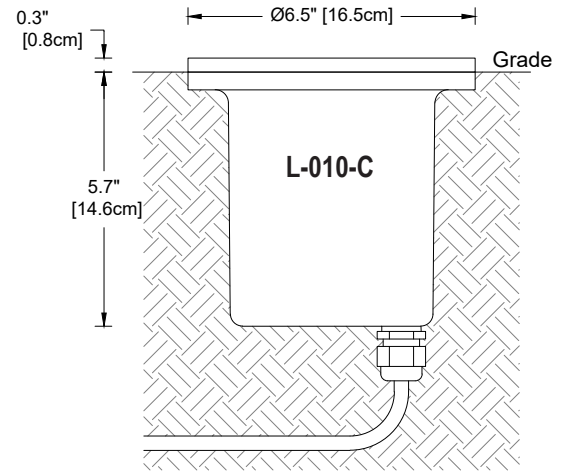
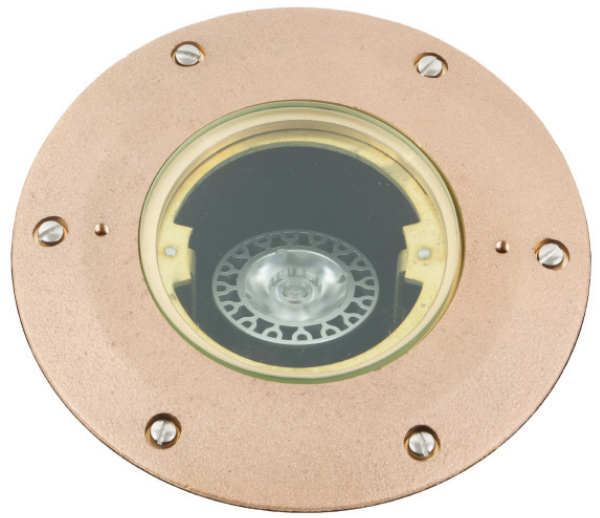
Accessories

- ___ **BGS2** Brass glare shield
- ___ **PG** Brass protection grate
- ___ **CP-KIT** Concrete pour kit

Optical Accessories

- ___ **FR-MR16** Frosted lens
- ___ **HL-MR16** Honeycomb louver, 1/8" [3mm] thick
- ___ **PR-MR16** Prismatic spread lens
- ___ **RT-MR16** Rectilinear spread lens

Finish: Unfinished is standard; no specification required. The fixture will weather to a natural patina. The patina process is natural with brass and copper. Rate of patina and eventual color is dependent upon climate and proximity to the ocean. Thus, Beachside does not guarantee any specific appearance.



Protection Grate accessory (PG)



Brass Glare Shield accessory (BGS2)

Weight: 5.3 lbs / 2.4 kg

IP 67
10 year fixture warranty
3 year warranty on MR16 LED lamps
CSA File #190030

Fixtures supplied with 15 ft. [4.5 m] type SJOOW cord for remote connectors.

Project _____	By _____	Date _____
For ordering purposes, please specify (example: L-010-C-120V-8W-FL-27-120V-PG-CP-KIT-FR-MR16)		
L-010-C-	V	
Fixture	Lamp	Accessory