

L-010

The L-010 is a brass and composite in-ground uplight. An internal bracket allows 360° rotation and angling of the lamp up to 16° before any cutoff.

Construction Cast brass cover on composite housing

Lens Clear, tempered glass.

Voltage 12 Volts AC. Remote transformer required.

Lamps GU5.3 MR16 LED

5 Watt Cree chipset	___ 5W-A-NFL	AMBER (1500K)	25° narrow fld	83 lm
	___ 2700K	___ 3000K		
	___ 5W-SP-27	___ 5W-SP-30	15° spot	425/450 lm
Epistar chipset	___ 5W-NFL-27	___ 5W-NFL-30	25° narrow fld	425/450 lm
5 Watts	___ 5W-FL-27	___ 5W-FL-30	40° flood	425/450 lm
	___ 5W-FL/60-27	___ 5W-FL/60-30	60° flood	425/450 lm
	___ 5W-WFL-27	___ 5W-WFL-30	120° wide fld	425/450 lm
Epistar chipset	___ 7W-FL/60-27	___ 7W-FL/60-30	60° flood	600/630 lm
7 Watts	___ 8W-SP-27	___ 8W-SP-30	10° spot	600 lm
Soraa chipset	___ 8W-NFL-27	___ 8W-NFL-30	25° narrow fld	630 lm
8 Watts	___ 8W-FL-27	___ 8W-FL-30	36° flood	630 lm

Triple LED light engine • Triac dimmable: MLV >1% typ., ELV >5% typ.

7 Watts Cree XPE2	___ 7W-A-SP	12° Beam, 27° Field	2500 cd	182 lm	30 lm/W
AMBER (1500K)	___ 7W-A-NFL	29° Beam, 49° Field	588 cd	167 lm	22 lm/W
590-600nm	___ 7W-A-FL	49° Beam, 76° Field	221 cd	159 lm	21 lm/W

8 Watts Cree XPE2	___ 8W-RO-SP	9° Beam, 20° Field	8433 cd	372 lm	55 lm/W
RED-ORANGE	___ 8W-RO-NFL	30° Beam, 45° Field	1198 cd	354 lm	52 lm/W
(1000K) 625-635nm	___ 8W-RO-FL	55° Beam, 82° Field	353 cd	305 lm	45 lm/W

11 Watts	2700K	___ 11W-827-SP	___ 11W-827-NFL	___ 11W-827-FL	
Cree XPG2	3000K	___ 11W-830-SP	12° Beam, 29° Field	9754 cd	799 lm
Warm White		___ 11W-830-NFL	29° Beam, 50° Field	2659 cd	777 lm
		___ 11W-830-FL	48° Beam, 79° Field	942 cd	671 lm

11 Watts	2700K	___ 11W-927-SP	___ 11W-927-NFL	___ 11W-927-FL	
Cree XPG3	3000K	___ 11W-930-SP	12° Beam, 29° Field	6973 cd	756 lm
Warm White		___ 11W-930-NFL	29° Beam, 50° Field	2299 cd	728 lm
High CRI		___ 11W-930-FL	48° Beam, 79° Field	936 cd	635 lm

Accessories

___ BGS2	Brass glare shield
___ PG	Brass protection grate
___ CP-KIT	Concrete pour kit

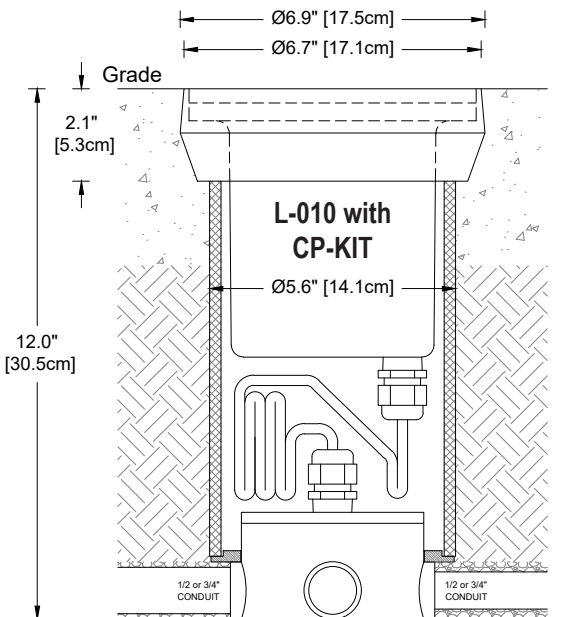
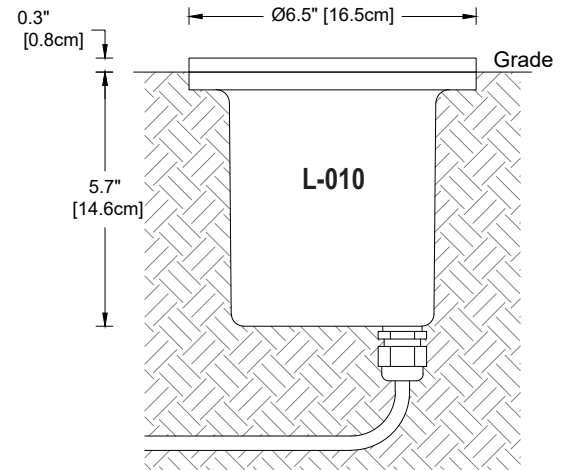
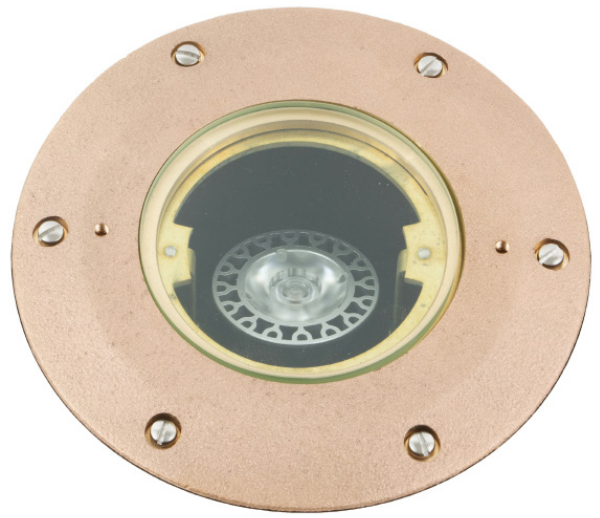
Optical Accessories

Lamp-attached	For light engines	
___ FR-MR16	___ FR-LBTZ	Frosted lens
___ HL-MR16	___ HL-LBTZ	Honeycomb louver, 1/8" [3mm] thick
___ PR-MR16	___ PR-LBTZ	Prismatic spread lens
___ RT-MR16	___ RT-LBTZ	Rectilinear spread lens
___ SL-MR16	___ SL-LBTZ	Solite (soft focus) lens

Finish: Unfinished is standard; no specification required. The fixture will weather to a natural patina. The patina process is natural with brass and copper. Rate of patina and eventual color is dependent upon climate and proximity to the ocean. Thus, Beachside does not guarantee any specific appearance.

Weight: 5.3 lbs / 2.4 kg

IP 67
10 year fixture warranty
3 year warranty on MR16 LED lamps
CSA File #190030



Fixtures supplied with 10 ft. [3 m] type SJ00W cord for remote connectors.

Project	By	Date
For ordering purposes, please specify (example: L-010—5W-SP-27—PG—CP-KIT—FR-MR16)		
L-010		
Fixture	Lamp	Accessory
		Accessory