

L-011-30-BGS-SA

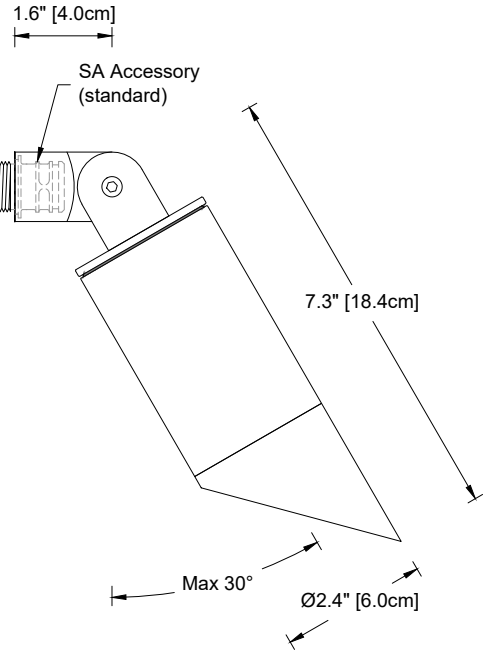
The L-011-30-BGS-SA is fixed, downward-facing directional fixture available in both low voltage and line voltage configurations. It is limited to a maximum 30° angle from vertical and supplied with an angled glare shield. The fixture needs to be specified with one of the available mountings to ensure it meets International Dark Sky Association requirements. The L-011-30-BGS-SA can be equipped with several different MR16 LED and halogen lamps and a variety of accessories to produce the desired effect.



Construction	All brass components • 0.140" [3.6mm] thick brass housing			
Lens	Tempered glass, stepped to prevent pooling of water on lens			
L-011	12 Volts AC/DC • GU5.3 MR16 LED • Remote Transformer Required Amber (1500K), Warm White (2700K/3000K) • Most lamps dim to less than 20%. See lamp manufacturer's transformer/dimmer compatibility chart.			
5 Watt Cree chipset	___ 5W-A-NFL	AMBER (1500K)	25° narrow flood	
	___ <u>2700K</u>	<u>3000K</u>		
	___ 5W-SP-27	___ 5W-SP-30	15° spot	320 lm
Cree chipset	___ 5W-NFL-27	___ 5W-NFL-30	25° narrow flood	320 lm
5 Watts	___ 5W-FL-27	___ 5W-FL-30	40° flood	320 lm
	___ 5W-FL/60-27	___ 5W-FL/60-30	60° flood	320 lm
	___ 5W-WFL-27	___ 5W-WFL-30	100° wide flood	320 lm
Lumiled chipset	___ 7W-FL/60-27	___ 7W-FL/60-30	60° flood	483 lm
7 Watts				
Soraa chipset	___ 8W-SP-27	___ 8W-SP-30	10° spot	600 lm
8 Watts	___ 8W-NFL-27	___ 8W-NFL-30	25° narrow flood	630 lm
	___ 8W-FL-27	___ 8W-FL-30	36° flood	630 lm

L-011-120V 120 Volts GU10 MR16 LED • Amber (1500K), Warm White (2700K/3000K)
L-011-230V 230 Volts Most lamps dim to less than 20%. See lamp manufacturer's transformer/dimmer compatibility chart.

5 Watt Cree chipset	___ 5W-A-NFL-120V	AMBER (1500K)	25° narrow flood	79 lm
	___ <u>2700K</u>	<u>3000K</u>		
Green Creative	___ 5W-NFL-27-120V	___ 5W-NFL-30-120V	25° narrow flood	390 lm
5 Watts	___ 5W-FL-27-120V	___ 5W-FL-30-120V	35° flood	390 lm
	___ 8W-SP-27-120V	___ 8W-SP-30-120V	10° spot	600 lm
Soraa chipset	___ 8W-NFL-27-120V	___ 8W-NFL-30-120V	25° narrow flood	630 lm
8 Watts	___ 8W-FL-27-120V	___ 8W-FL-30-120V	36° flood	630 lm
	___ 8W-WFL-27-120V	___ 8W-WFL-30-120V	60° wide flood	630 lm



Optical Accessories	<input checked="" type="checkbox"/> BGS	Brass glare shield, 45° cutoff (STANDARD)
	___ CTO-1/4-2.04	Color Temperature Orange filter 1/4
	___ CTO-1/2-2.04	Color Temperature Orange filter 1/2
	___ CTO-3/4-2.04	Color Temperature Orange filter 3/4
	___ FR	Frosted lens, 1/8" [3mm] thick
	___ HL1	Honeycomb louver, 1/8" [3mm] thick
	___ HL2	Honeycomb louver, 1/4" [6mm] thick
	___ PR	Prismatic spread lens, 1/8" [3mm] thick
	___ RT	Rectilinear spread lens, 1/8" [3mm] thick
	___ SL	Solite (Soft Focus) lens, 1/8" [3mm] thick

Maximum (2) 1/8" thick accessories or (1) HL2 + (1) CTO Filter

Mounting Accessories	<input checked="" type="checkbox"/> SA	Sure Aim locking rotation accessory (STANDARD)
	___ TDM1	*Brass tree/deck mount with stainless steel screws
	___ TDM2 ___	*Brass tree mount with nylon strap (48, 72, or 96")
	___ TDM2SS ___	*Brass tree mount with stainless steel strap (48, 72, or 96")
	___ TDM3	*Brass low-profile deck/wall mount
	___ TDM4	*Brass low-profile tree mount with notch for wire
	___ TMJB ___	Brass tree-mounted junction box, single fixture mount, stainless steel strap (48, 72, or 96")
	___ TMJBX	Brass tree-mounted junction box, single fixture mount, stainless steel screws

* These accessories for 12 Volt only

Finish: Unfinished is standard; no specification required. The fixture will weather to a natural patina. The patina process is natural with brass and copper. Rate of patina and eventual color is dependent upon climate and proximity to the ocean. Thus, Beachside does not guarantee any specific appearance.



SUITABLE FOR INDOOR USE UP TO 15W LED



IP 66
 CSA Listed, file #190030
 10 year fixture warranty
 3 year warranty on MR16 LED lamps

Project _____	By _____	Date _____
For ordering purposes, please specify (example: L-011-30-120V—8W-NFL-27-120V—BGS—CTO-1/2-2.04—HL1—SA)		
L-011-30- Fixture	___ BGS ___ Lamp	___ SA ___ Accessory