

L-011-P-CM

The L-011-P-CM is a fixed, ceiling-mounted, gobo pattern projector downlight for landscape applications.

Construction All brass components. 0.140" [3.6mm] thick brass housing.

Lens Dual Convex Optical Glass

Mounting **Round Canopy** (standard): Brass canopy mounts onto brass crossbar (included). Crossbar fits over 3.0" and 4.0" octagonal / round and single gang rectangular boxes.
Square Canopy (optional): Square brass canopy with same crossbar mounting as standard Round Canopy.

L-011-P-CM 12 Volts • GU5.3 MR16 • Remote transformer required

Soraa chipset	— 8W-NFL-27	8 Watt LED (2700K)	25° narrow flood
	— 8W-NFL-30	8 Watt LED (3000K)	25° narrow flood

L-011-P-CM-120V / -230V 120/230 Volts • GU10 MR16

Soraa chipset	— 8W-SP-27-120V	8 Watt LED (2700K)	10° spot
	— 8W-SP-30-120V	8 Watt LED (3000K)	10° spot

L-011-P-CM-MH-120V / -230V 120/230 Volts • GX10 MR16 • Remote ballast req'd

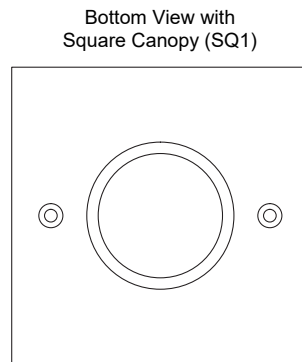
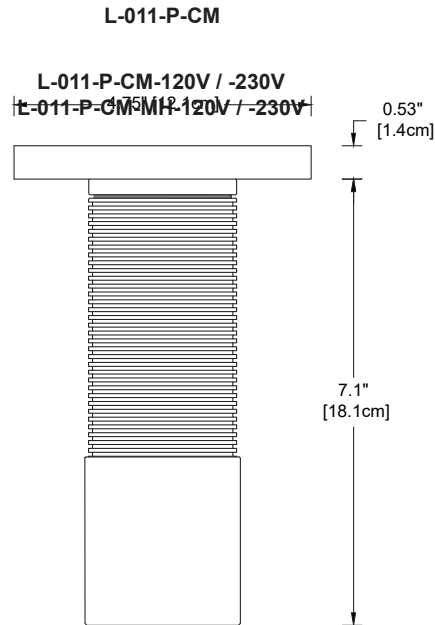
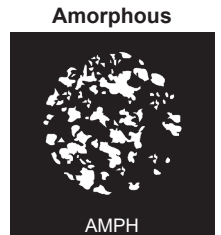
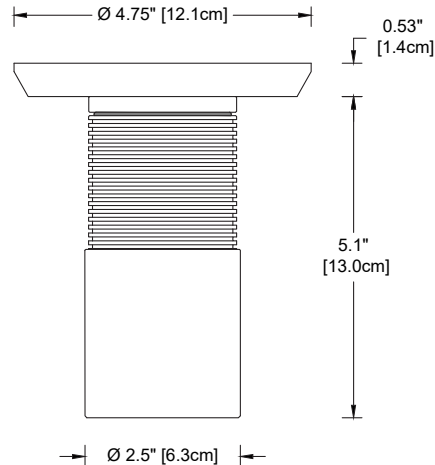
Warm White (3000K)	— MH20MR16SP	20 Watt metal halide	12° spot
	— MH39MR16SP	39 Watt metal halide	12° spot

Gobo Patterns Metal gobos are 8 mil stainless steel, 51.5mm diameter, with high levels of nickel and chromium to provide long life and excellent image quality. Any gobo pattern, including custom designs, can be ordered with up to a 35mm diameter pattern area, though 29mm is recommended.

- **AMPH** Amorphous
- **EP** Egyptian Palms
- **WP** Wild Palms
- **CUSTOM** Consult sales rep for art specifications

Accessory — **SQ1** 4.75" (12.1cm) Square canopy substitution for standard round canopy

Finish: Unfinished is standard; no specification required. The fixture will weather to a natural patina. The patina process is natural with brass and copper. Rate of patina and eventual color is dependent upon climate and proximity to the ocean. Thus, Beachside does not guarantee any specific appearance.



Weight (12 Volt): 2.8 lbs. [1.3 kg]
(120 Volt & MH): 3.4 lbs. [1.5 kg]

IP 66
 10 year fixture warranty
 3 year warranty for MR16 lamps

Project	By	Date
For ordering purposes, please specify (example: L-011-P-CM-120V—8W-SP-27-120V—EP—SQ1)		
L-011-P-CM-	—	—
Fixture	Lamp	Accessory