

# L-011-P-CM1

The L-011-P-CM1 is a brass projection fixture on a 4.75" [12.1cm] round canopy for ceiling- or wall-mounted applications.

**Construction** All brass components. 0.140" [3.6mm] thick brass housings.

**Lenses** Dual Convex Optical Glass

**Mounting** Brass canopy mounts onto standard recessed 4" [10cm] round bell-type j-box with hole spacing at 3.5" [9cm] on center (supplied by others). Universal crossbar (supplied) can be used for bell-type j-box with hole spacing at 2.75" [7cm] on center.

**L-011-P-CM1** 12 Volts • GU5.3 MR16 • Remote transformer required

Soraa chipset	<input type="checkbox"/> <b>8W-NFL-27</b>	8 Watt LED (2700K)	25° narrow flood
	<input type="checkbox"/> <b>8W-NFL-30</b>	8 Watt LED (3000K)	25° narrow flood

**L-011-P-CM1-120V / -230V** 120/230 Volts • GU10 MR16

Soraa chipset	<input type="checkbox"/> <b>8W-SP-27-120V</b>	8 Watt LED (2700K)	10° spot
	<input type="checkbox"/> <b>8W-SP-30-120V</b>	8 Watt LED (3000K)	10° spot

**L-011-P-CM1-MH-120V / -230V** 120/230 Volts • GX10 MR16 • Remote ballast required

Warm White (3000K)	<input type="checkbox"/> <b>MH20MR16SP</b>	20 Watt metal halide	12° spot
	<input type="checkbox"/> <b>MH39MR16SP</b>	39 Watt metal halide	12° spot

**Optical Accessories**  **BGS9** Brass glare shield, 45° cutoff

Metal gobos are 8 mil stainless steel, 51.5mm diameter, with high levels of nickel and chromium to provide long life and excellent image quality. Any gobo pattern, including custom designs, can be ordered with up to a 35mm diameter pattern area, though 29mm is recommended.

<input type="checkbox"/> <b>AMPH</b>	Amorphous
<input type="checkbox"/> <b>EP</b>	Egyptian Palms
<input type="checkbox"/> <b>WP</b>	Wild Palms
<input type="checkbox"/> <b>CUSTOM</b>	Consult sales rep for art specifications

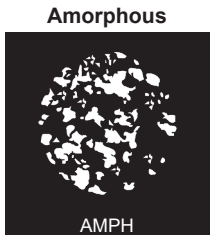
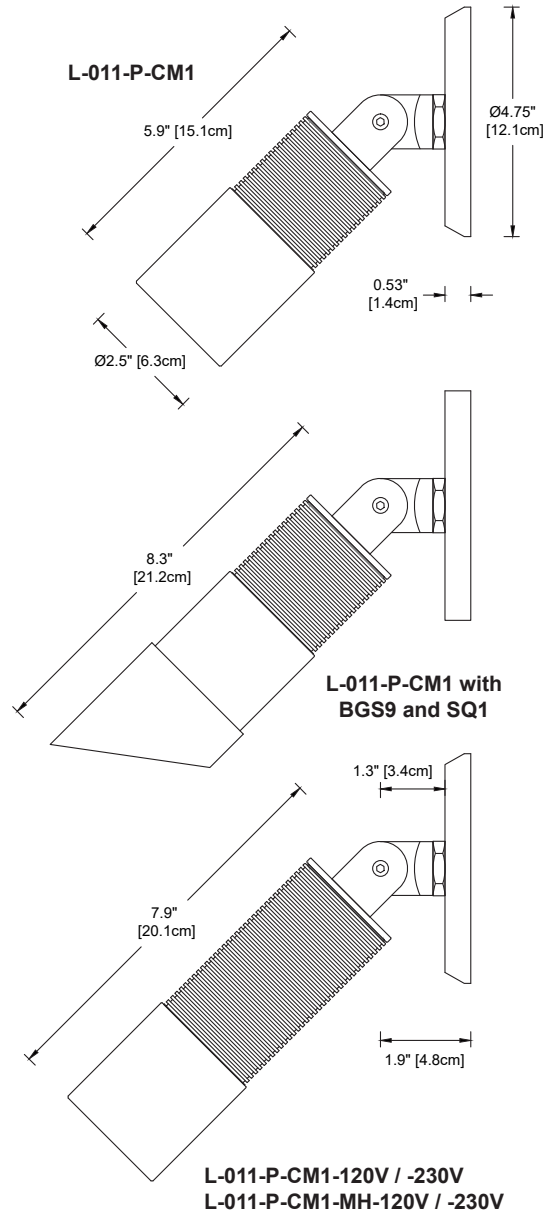
**Mounting Accessories**  **SA** Sure Aim locking rotation accessory  
 **SQ1** 4.75" (12.1cm) Square brass canopy substitution for standard round canopy.

**Finish:** Unfinished is standard; no specification required. The fixture will weather to a natural patina. The patina process is natural with brass and copper. Rate of patina and eventual color is dependent upon climate and proximity to the ocean. Thus, Beachside does not guarantee any specific appearance.



**Weight (12V):** 3.3 lbs / 1.5 kg  
**120/230V & MH:** 3.9 lbs / 1.8 kg

IP 66  
 10 year fixture warranty  
 3 year warranty for MR16 lamps



Project _____	By _____	Date _____
For ordering purposes, please specify (example: L-011-P-CM1-120V—8W-SP-27-120V—AMPH—SA—BGS9)		
<b>L-011-P-CM1-</b>	—	—
Fixture	Lamp	Accessories