

L-011-WA

The L-011-WA is an unobtrusive, low-voltage, directional fixture. Its compact design brings attention to the lamp's effect, not to the fixture itself. The L-011-WA is a wide-angle version of the standard L-011, designed to fully utilize the widest beam spread and eliminate cutoff by bringing the lamp almost fully forward in the housing.



Construction All brass components. 0.140" [3.6mm] thick brass housing.

Lens Tempered soda lime glass. Stepped to prevent pooling of water on lens.

Lamps 12 Volts, Remote transformer required

MR16 Halogen	— BAB/60	20 Watt	60° super flood
GU5.3, 50 Watt max.	— FMW/60	35 Watt	60° super flood
	— FNV	50 Watt	60° super flood

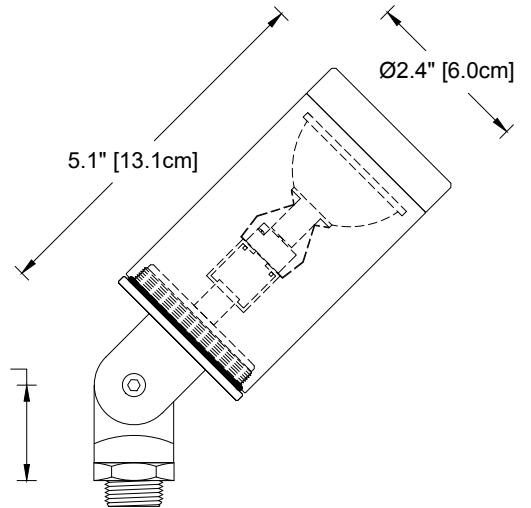
MR16 LED	— 5W-FL	5 Watt	40° flood
Cree chipset, GU5.3	— 5W-FL/60	5 Watt	60° flood
Warm White (3000K)	— 5W-WFL	5 Watt	100° wide flood

Optical Accessories

— BGS1	Brass glare shield, 45° cutoff
— FR	Frosted lens
— HL1	Honeycomb louver, 1/8" [3mm] thick
— HL2	Honeycomb louver, 1/4" [6mm] thick
— PR	Prismatic spread lens
— RT	Rectilinear spread lens
— SL	Solite lens

Mounting Accessories 1/2" male threads. Mounts into any standard j-box or:

— GS2	Heavy-duty ground spike
— GS2BC	Heavy-duty ground spike with cast brass cap
— GS4	Standard ground spike with cast brass cap
— JB	Cast brass junction box
— SA	Sure Aim locking rotation accessory
— TDM1	Brass tree/deck mount with stainless steel screws
— TDM2-__	Brass tree mount with nylon strap (48, 72, or 96")
— TDM2SS-__	Brass tree mount with stainless steel strap (48, 72, or 96")
— TDM3	Brass low-profile deck/wall mount (SA accessory recommended)
— TDM4	Brass low-profile tree mount with notch for wire (SA accessory recommended)
— TMJB-__	Brass tree-mounted junction box, single fixture mount, stainless steel strap (48, 72, or 96")
— TMJB2-__	Brass tree-mounted junction box, double fixture mount, stainless steel strap (48, 72, or 96")
— TMJBX	Brass tree-mounted junction box, single fixture mount, stainless steel screws
— TMJB2X	Brass tree-mounted junction box, double fixture mount, stainless steel screws



Finish: Unfinished is standard; no specification required. The fixture will weather to a natural patina. The patina process is natural with brass and copper. Rate of patina and eventual color is dependent upon climate and proximity to the ocean. Thus, Beachside does not guarantee any specific appearance.

Weight: 2.6 lbs. [1.2 kg]

IP 66
 CSA Listed, file #190030
 10 year fixture warranty
 3 year warranty on MR16 LED lamps

MADE IN USA

Project	By	Date
For ordering purposes, please specify (example: L-011-WA—FMW/60—BGS1—HL1—TDM2-72)		
L-011-WA	—	—
Fixture	Lamp	Accessory
		—
		Accessory(ies)