

L-012F

The L-012F is a cast brass steplight for surface-mount applications.

Construction Cast brass faceplate.

Lens Tempered, frosted dome glass

Voltage 12 Volts AC. Remote transformer required.

Mounting Surface mount to wall. Mounting bracket allows for use with 4-inch octagonal box with standard diagonal hole spacing.

Suitable for installation on combustible (wood) and non-combustible (masonry) materials.

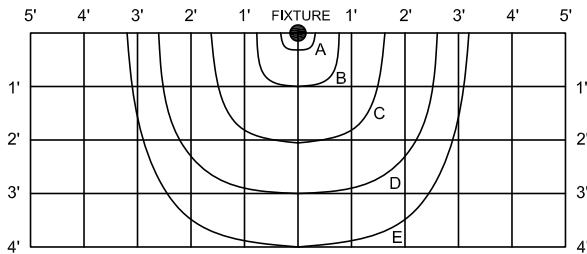
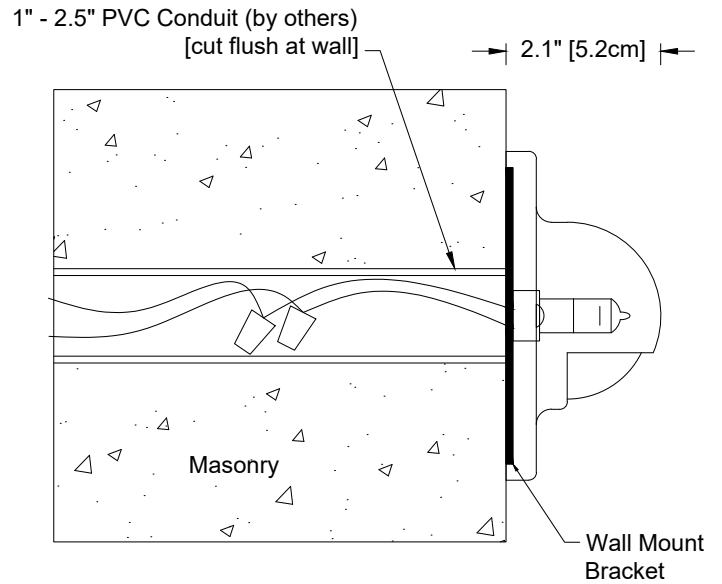
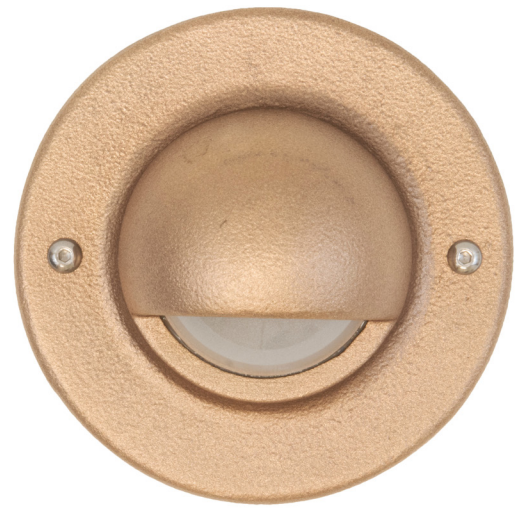
Lamps G4 bi-pin base • Amber, Warm White

— **1W-A-G4** 1 Watt AMBER LED (1500K)

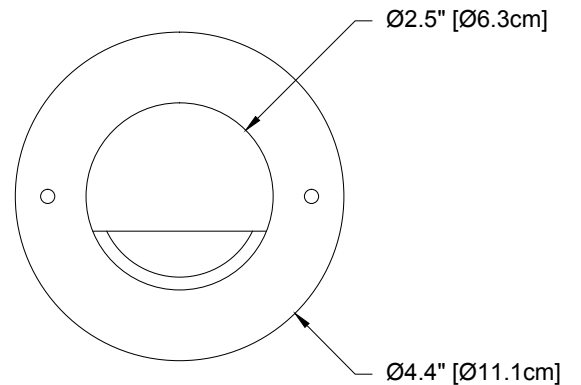
— **3W-G4-27** 3 Watt LED (2700K)

— **3W-G4-30** 3 Watt LED (3000K)

Finish: Unfinished is standard; no specification required. The fixture will weather to a natural patina. The patina process is natural with brass and copper. Rate of patina and eventual color is dependent upon climate and proximity to the ocean. Thus, Beachside does not guarantee any specific appearance.



Horizontal Footcandles at Floor Level with Fixture Mounted at 18" High					
Lamp	A	B	C	D	E
3W-G4-30	9.1	4.0	1.8	0.7	0.3



Weight: 1.4 lbs / 0.6 kg

IP66
10 year fixture warranty



Project _____	By _____	Date _____
For ordering purposes, please specify (example: L-012F—3W-G4-27)		
L-012F	—	_____
Fixture		Lamp