

L-012

The L-012 is a solid brass steplight with a recessed housing.



Wildlife Lighting
Certification Number
2018-029



Construction Cast brass faceplate. 1/8" [3mm] thick brass recessed housing.

Lens Tempered soda lime glass
 ___ FR Frosted glass
 ___ RT Rectilinear spread lens

Voltage 12 Volts AC. Remote transformer required.

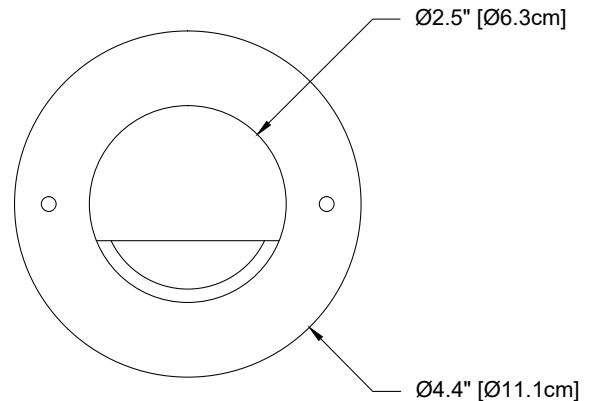
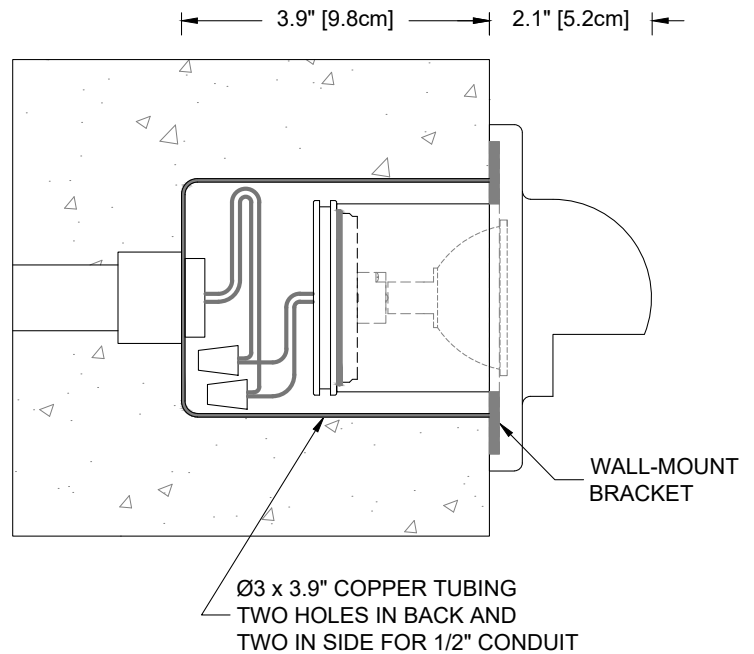
Mounting Recessed wall mounting only, in both combustible and non-combustible surfaces. A 3" diameter x 3.9" deep [7.6 x 9.8cm] hole is required. A spacer is included for this purpose.

Lamps Combustible surface installation limited to 10 Watts max
GU5.3 • MR16

Cree LED chipset
AMBER (1500K) ___ **5W-A-NFL** 5 Watt 25° narrow flood

Wavelength 585 - 595 nanometers

Finish: Unfinished is standard; no specification required. The fixture will weather to a natural patina. The patina process is natural with brass and copper. Rate of patina and eventual color is dependent upon climate and proximity to the ocean. Thus, Beachside does not guarantee any specific appearance.



Weight: 3.7 lbs / 1.7 kg

IP66
 10 year fixture warranty
 3 year warranty on MR16 LED lamps



SUITABLE FOR
INDOOR USE
(max 10W)

Project	By	Date
For ordering purposes, please specify (example: L-012—FR—5W-A-NFL)		
L-012		5W-A-NFL
Fixture	Lens	Lamp