

# L-013-R3-S

The L-013-R3-S is a decorative brass downlight with a copper shade. 12V version is suitable for specific indoor locations such as atriums and malls where deemed acceptable by the authority having jurisdiction.

**Construction** All brass components, copper shade, 0.140" [3.6mm] thick brass housings

**Lenses** Tempered glass, top lens frosted

**Mounting** Brass canopy mounts onto standard recessed 4" round bell-type junction box with hole spacing at 3.5" on-center (supplied by others). Universal crossbar can be used for bell-type j-box with hole spacing at 2.75" on-center (supplied).

**12V Lamps** Remote transformer required

|                     |                           |                 |                         |
|---------------------|---------------------------|-----------------|-------------------------|
| <b>Top Lamp</b>     |                           | G4 LED          |                         |
| ___ 4W-A-G4         | 4 Watt AMBER (1500K)      |                 |                         |
| ___ 4W-G4-27        | 4 Watt Warm White (2700K) |                 |                         |
| ___ 4W-G4-30        | 4 Watt Warm White (3000K) |                 |                         |
| <b>Bottom Lamp</b>  |                           | GU5.3 MR16 LED  |                         |
| 5 Watt Cree chipset | ___ 5W-A-NFL              | AMBER (1500K)   | 25° narrow flood 83 lm  |
|                     | 2700K                     | 3000K           |                         |
|                     | ___ 5W-NFL-27             | ___ 5W-NFL-30   | 25° narrow flood 320 lm |
| Cree chipset        | ___ 5W-FL-27              | ___ 5W-FL-30    | 40° flood 320 lm        |
| 5 Watt Warm White   | ___ 5W-FL/60-27           | ___ 5W-FL/60-30 | 60° flood 320 lm        |
|                     | ___ 5W-WFL-27             | ___ 5W-WFL-30   | 100° wide flood 320 lm  |
| Lumiled chipset     | ___ 7W-FL/60-27           | ___ 7W-FL/60-30 | 60° flood 483 lm        |
| 7 Watt Warm White   |                           |                 |                         |
| Soraa chipset       | ___ 8W-NFL-27             | ___ 8W-NFL-30   | 25° narrow flood 630 lm |
| 8 Watt Warm White   | ___ 8W-FL-27              | ___ 8W-FL-30    | 36° flood 630 lm        |

|                     |                           |                    |                         |
|---------------------|---------------------------|--------------------|-------------------------|
| <b>120V Lamps</b>   |                           | G9 LED             |                         |
| ___ 3W-A-G9         | 3 Watt AMBER (1400K)      |                    |                         |
| ___ 4W-G9-27        | 4 Watt Warm White (2700K) |                    |                         |
| ___ 4W-G9-30        | 4 Watt Warm White (3000K) |                    |                         |
| <b>Bottom Lamp</b>  |                           | GU10 MR16 LED      |                         |
| 5 Watt Cree chipset | ___ 5W-A-NFL-120V         | AMBER (1300K)      | 25° narrow flood 62 lm  |
|                     | 2700K                     | 3000K              |                         |
| Green Creative      | ___ 5W-NFL-27-120V        | ___ 5W-NFL-30-120V | 25° narrow flood 390 lm |
| 5 Watt Warm White   | ___ 5W-FL-27-120V         | ___ 5W-FL-30-120V  | 35° flood 390 lm        |
|                     | ___ 8W-NFL-27-120V        | ___ 8W-NFL-30-120V | 25° narrow flood 630 lm |
| Soraa chipset       | ___ 8W-FL-27-120V         | ___ 8W-FL-30-120V  | 36° flood 630 lm        |
| 8 Watt Warm White   | ___ 8W-WFL-27-120V        | ___ 8W-WFL-30-120V | 60° wide flood 630 lm   |

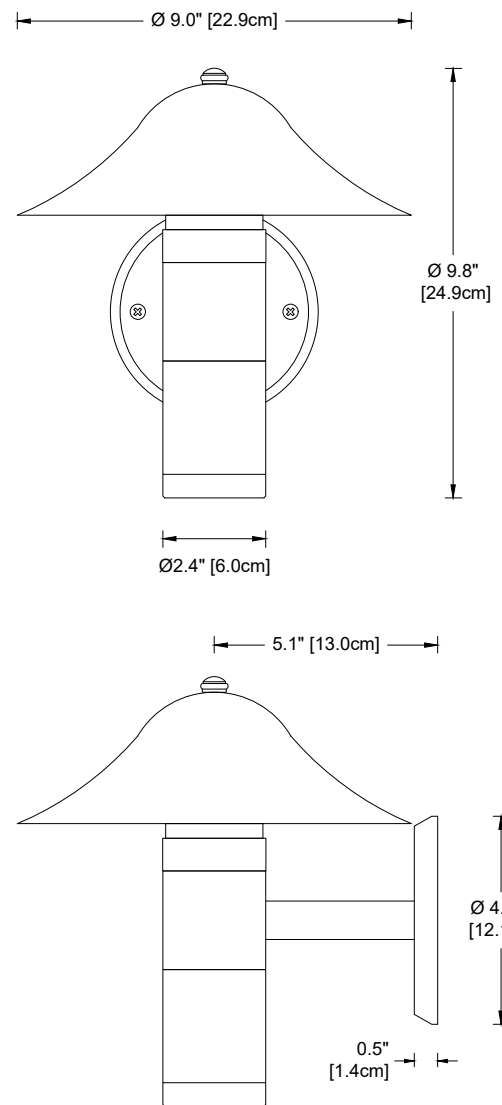
**Accessories**

- \_\_\_ RS1260M 60-Watt transformer for LED applications (12V only)
- \_\_\_ HL1 \*Honeycomb louver, 1/8" [3mm] thick
- \_\_\_ HL2 \*Honeycomb louver, 1/4" [6mm] thick

\*Bottom lamp only

**Finish:** Unfinished is standard; no specification required. The fixture will weather to a natural patina. The patina process is natural with brass and copper. Rate of patina and eventual color is dependent upon climate and proximity to the ocean. Thus, Beachside does not guarantee any specific appearance.

CSA Listed, file #190030  
 10-year fixture warranty  
 3-year warranty on MR16 LED lamps



|  |             |                |
|--|-------------|----------------|
| Project  | By          | Date           |
| For ordering purposes, please specify (example: L-013-R3-S—12V—4W-G4-27—5W-NFL-27—RS1260M—HL1) |             |                |
| <b>L-013-R3-S</b>  |             |                |
| Fixture  | Voltage     | Accessory(ies) |
| Top Lamp   | Bottom Lamp |                |