

# L-013-S

The L-013-S is a wall-mounted, brass up-/downlight with multiple canopy options. For outdoor use. 12V also is suitable for specific indoor locations such as atriums and malls where deemed acceptable by the authority having jurisdiction.

**Construction** All brass components; 0.140" [3.6mm] thick brass housings

**Lens** Tempered soda lime glass

**Mounting** **Round Canopy** (standard): Brass canopy mounts onto brass crossbar (included). Crossbar fits over 3.0" and 4.0" octagonal / round and single gang rectangular boxes.

**Square Canopy** (optional): Square brass canopy with same crossbar mounting as standard Round Canopy.

**Small Square Canopy** (optional): Two-part brass canopy mounts over 3.0-3.5" octagonal / round box only.



## 12 Volt Lamps (2x – lumens are per lamp)

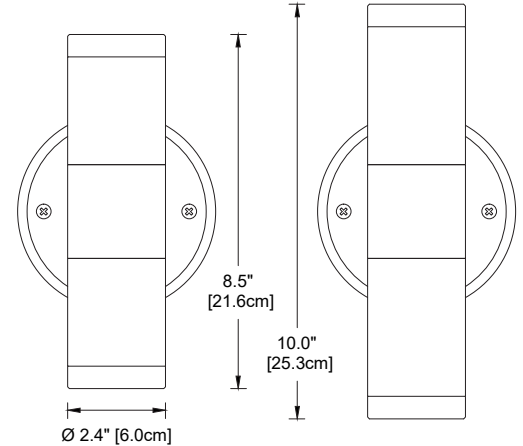
Triple LED light engine • Remote transformer required • Values are per lamp

Triac dimmable: MLV >1% typ., ELV >5% typ.

Note: Fixtures supplied with light engines are 0.7 in. longer than those with MR16 lamps.

7 Watts Cree XPE2	___ <b>7W-A-SP</b>	12° Beam, 27° Field	2500 cd	182 lm	30 lm/W
AMBER (1500K)	___ <b>7W-A-NFL</b>	29° Beam, 49° Field	540 cd	139 lm	23 lm/W
590-600nm	___ <b>7W-A-FL</b>	49° Beam, 76° Field	162 cd	114 lm	19 lm/W
8 Watts Cree XPE2	___ <b>8W-RO-SP</b>	9° Beam, 20° Field	8433 cd	372 lm	55 lm/W
RED-ORANGE	___ <b>8W-RO-NFL</b>	30° Beam, 45° Field	1241 cd	331 lm	53 lm/W
(1000K) 625-635nm	___ <b>8W-RO-FL</b>	55° Beam, 82° Field	388 cd	292 lm	47 lm/W
11 Watts 2700K	___ <b>11W-927-SP</b>	___ <b>11W-927-NFL</b>	___ <b>11W-927-FL</b>		
Cree XPG3	___ <b>11W-930-SP</b>	12° Beam, 29° Field	6973 cd	756 lm	79 lm/W
Warm White	___ <b>11W-930-NFL</b>	29° Beam, 50° Field	2215 cd	700 lm	72 lm/W
High CRI	___ <b>11W-930-FL</b>	48° Beam, 79° Field	892 cd	578 lm	60 lm/W

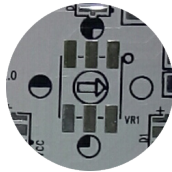
CRI 92



L-013-S with MR16

L-013-S with light engine

11W light engines feature adjustable output via a switch under the optic.

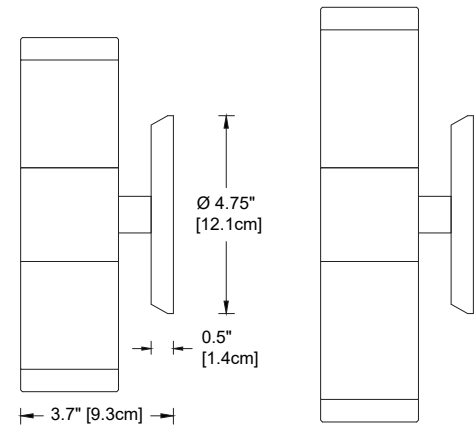


○	Open / Clear symbol	Max output
◐	3/4 Open symbol	75% output
◑	1/2 Open symbol	50% output
◒	1/4 Open symbol	25% output

GU5.3 MR16 LED • Remote Transformer Required • Amber (1500K), Warm White (2700K/3000K)  
Most lamps dim to less than 20%. See lamp manufacturer's transformer/dimmer compatibility chart.

5 Watt Cree chipset	___ <b>5W-A-NFL</b>	AMBER (1500K)	25° narrow flood	83 lm	
	___ <b>5W-SP-27</b>	2700K	15° spot	320 lm	85+ CRI
	___ <b>5W-NFL-27</b>	3000K	25° narrow flood	320 lm	85+ CRI
Cree chipset	___ <b>5W-FL-27</b>		40° flood	320 lm	85+ CRI
5 Watts	___ <b>5W-FL/60-27</b>		60° flood	320 lm	85+ CRI
	___ <b>5W-WFL-27</b>		100° wide flood	320 lm	85+ CRI
Lumiled chipset	___ <b>7W-FL/60-27</b>		60° flood	483 lm	90+ CRI
7 Watts	___ <b>7W-FL/60-30</b>		60° flood	483 lm	90+ CRI
Soraa chipset	___ <b>8W-SP-27</b>		10° spot	600 lm	90 CRI
8 Watts	___ <b>8W-NFL-27</b>		25° narrow flood	630 lm	90 CRI
	___ <b>8W-FL-27</b>		36° flood	630 lm	90 CRI

**L70:** 25,000 hours (MR16 LED lamps)



# L-013-S

## 120 / 230V Lamps (2x – lumens are per lamp)

GU10 MR16 LED • Amber (1300K), Warm White (2700K/3000K) • Values are per lamp  
 Most lamps dim to less than 20%. See lamp manufacturer's transformer/dimmer compatibility chart.

5 Watt Cree chipset	<u>  </u> <b>5W-A-NFL-120V</b>	<b>AMBER</b> (1300K)	25° narrow flood	62 lm	
	<u>          </u> <i>2700K</i>	<u>          </u> <i>3000K</i>			
Green Creative	<u>  </u> <b>5W-NFL-27-120V</b>	<u>  </u> <b>5W-NFL-30-120V</b>	25° narrow flood	390 lm	95 CRI
5 Watts	<u>  </u> <b>5W-FL-27-120V</b>	<u>  </u> <b>5W-FL-30-120V</b>	35° flood	390 lm	95 CRI
	<u>  </u> <b>8W-SP-27-120V</b>	<u>  </u> <b>8W-SP-30-120V</b>	10° spot	600 lm	90 CRI
Soraa chipset	<u>  </u> <b>8W-NFL-27-120V</b>	<u>  </u> <b>8W-NFL-30-120V</b>	25° narrow flood	630 lm	90 CRI
8 Watts	<u>  </u> <b>8W-FL-27-120V</b>	<u>  </u> <b>8W-FL-30-120V</b>	36° flood	630 lm	90 CRI
	<u>  </u> <b>8W-WFL-27-120V</b>	<u>  </u> <b>8W-WFL-30-120V</b>	60° wide flood	630 lm	90 CRI

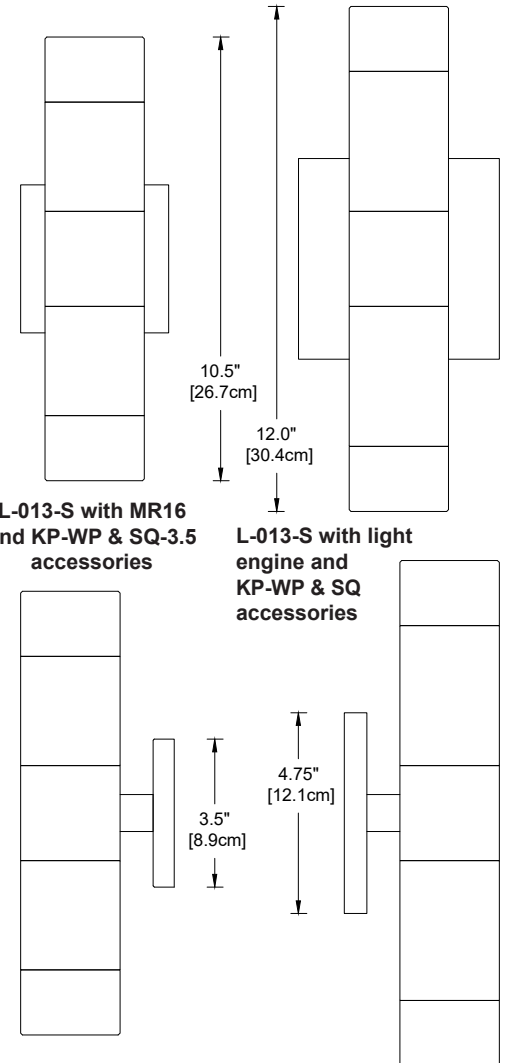
**Mounting Accessories**    **SQ** 4.75" (12.1cm) Square canopy substitution for standard round canopy.  
   **SQ-3.5** 3.5" (8.9cm) Small square canopy substitution for standard round canopy. For 3.0-3.5" round or octagonal recessed box with screw spacing at 2.75" on center.

**Optical Accessories**    **FR** Frosted lens  
   **HL1** Honeycomb louver, 1/8" [3mm] thick  
   **HL2** Honeycomb louver, 1/4" [6mm] thick  
   **KP-WP** Extended 1" snoot with weep hole  
   **PR** Prismatic spread lens  
   **RT** Rectilinear spread lens  
   **SL** Solite lens

**Finish:** Unfinished is standard; no specification required. The fixture will weather to a natural patina. The patina process is natural with brass and copper. Rate of patina and eventual color is dependent upon climate and proximity to the ocean. Thus, Beachside does not guarantee any specific appearance.



Shown with KP-WP and SQ-3.5 accessories



**Weight:** 5.2 lbs [2.4 kg]

IP 66  
 CSA Listed, file #190030  
 10-year fixture warranty  
 3-year LED module warranty  
 3-year warranty on MR16 LED lamps



Project	By	Date
For ordering purposes, please specify (example: <b>L-013-S—120V—5W-A-NFL-120V—5W-A-NFL-120V—SQ-3.5—FR</b> )		
<b>L-013-S</b>	—	—
Fixture	Voltage	Accessory(ies)
—	—	—
Top Lamp	Bottom Lamp	—