

L-014-R3-S

The L-014-R3-S is a decorative brass light with a copper shade. 12V version is suitable for specific indoor locations such as atriums and malls where deemed acceptable by the authority having jurisdiction.

Construction All brass components, copper shade, 0.140" [3.6mm] thick brass housings

Lenses Tempered frosted glass

Mounting Brass canopy mounts onto standard recessed 4" round bell-type junction box with hole spacing at 3.5" on-center (supplied by others). Universal crossbar can be used for bell-type j-box with hole spacing at 2.75" on-center (supplied).

12V Lamps G4 LED • Remote transformer required

- **4W-A-G4** 4 Watt **AMBER** (1500K)
- **4W-G4-27** 4 Watt Warm White (2700K)
- **4W-G4-30** 4 Watt Warm White (3000K)

120V Lamps G9 LED

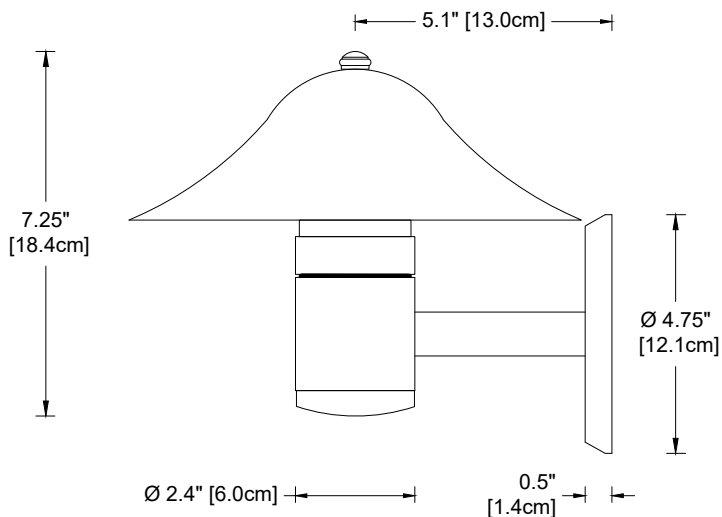
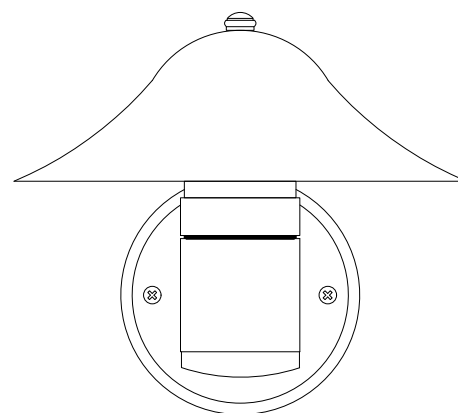
- **3W-A-G9** 3 Watt **AMBER** (1400K)
- **4W-G9-27** 4 Watt Warm White (2700K)
- **4W-G9-30** 4 Watt Warm White (3000K)

Accessory — **RS1260M** 60-Watt transformer for LED applications (12V only)

Finish: Unfinished is standard; no specification required. The fixture will weather to a natural patina. The patina process is natural with brass and copper. Rate of patina and eventual color is dependent upon climate and proximity to the ocean. Thus, Beachside does not guarantee any specific appearance.



Ø 9.0" [22.9cm]



CSA Listed, file #190030
10-year fixture warranty
3-year warranty on MR16 LED lamps



Project	By	Date
For ordering purposes, please specify (example: L-014-R3-S—12V—4W-G4-27—RS1260M)		
L-014-R3-S	—	—
Fixture	Voltage	Accessory
—	—	—
Lamp	—	—