

# L-014-S

The L-014-S is a wall-mounted, brass downlight with multiple canopy options. For outdoor use. 12V also is suitable for specific indoor locations such as atriums and malls where deemed acceptable by the authority having jurisdiction.



**Wildlife Lighting  
Certification Number  
2018-029**

**Construction** All brass components; 0.140" [3.6mm] thick brass housings

**Lens** Tempered soda lime glass

**Mounting** **Round Canopy** (standard): Brass canopy mounts onto brass crossbar (included). Crossbar fits over 3.0" and 4.0" octagonal / round and single gang rectangular boxes.

**Square Canopy** (optional): Square brass canopy with same crossbar mounting as standard Round Canopy.

**Small Square Canopy** (optional): Two-part brass canopy mounts over 3.0-3.5" octagonal / round box only.

## 12V Lamps

Triple LED light engine • Remote transformer required

Triac dimmable: MLV >1% typ., ELV >5% typ.

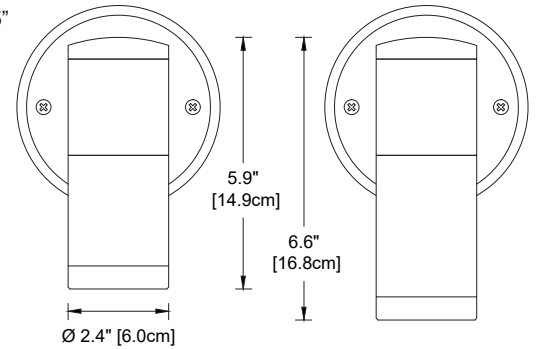
Note: Fixtures supplied with light engines are 0.7 in. longer than those with MR16 lamps.

7 Watts Cree XPE2 AMBER (1500K) 590-600nm	___ <b>7W-A-SP</b> ___ <b>7W-A-NFL</b> ___ <b>7W-A-FL</b>	12° Beam, 27° Field 29° Beam, 49° Field 49° Beam, 76° Field	2500 cd 540 cd 162 cd	182 lm 139 lm 114 lm	30 lm/W 23 lm/W 19 lm/W
8 Watts Cree XPE2 RED-ORANGE (1000K) 625-635nm	___ <b>8W-RO-SP</b> ___ <b>8W-RO-NFL</b> ___ <b>8W-RO-FL</b>	9° Beam, 20° Field 30° Beam, 45° Field 55° Beam, 82° Field	8433 cd 1241 cd 388 cd	372 lm 331 lm 292 lm	55 lm/W 53 lm/W 47 lm/W

GU5.3 MR16 LED • Remote Transformer Required

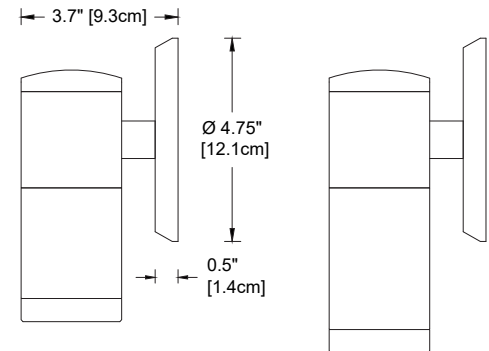
5 Watt Cree chipset \_\_\_ **5W-A-NFL**      **AMBER** (1500K)      25° narrow flood      83 lm

**L70:** 25,000 hours (MR16 LED lamps)



**L-014-S  
with MR16**

**L-014-S with  
light engine**



Certified by DarkSky.org



# L-014-S

## 120 / 230V Lamps

GU10 MR16 LED

5 Watt Cree chipset  **5W-A-NFL-120V** **AMBER** (1300K) 25° narrow flood 62 lm

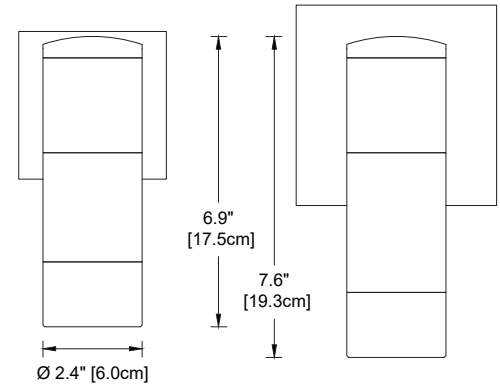
**Mounting Accessories**  **SQ** 4.75" (12.1cm) Square canopy substitution for standard round canopy.  
 **SQ-3.5** 3.5" (8.9cm) Small square canopy substitution for standard round canopy. For 3.0-3.5" round or octagonal recessed box with screw spacing at 2.75" on center.

**Optical Accessories**  **FR** Frosted lens  
 **HL1** Honeycomb louver, 1/8" [3mm] thick  
 **HL2** Honeycomb louver, 1/4" [6mm] thick  
 **KP** Extended 1" snoot  
 **PR** Prismatic spread lens  
 **RT** Rectilinear spread lens  
 **SL** Solite lens

**Finish:** Unfinished is standard; no specification required. The fixture will weather to a natural patina. The patina process is natural with brass and copper. Rate of patina and eventual color is dependent upon climate and proximity to the ocean. Thus, Beachside does not guarantee any specific appearance.

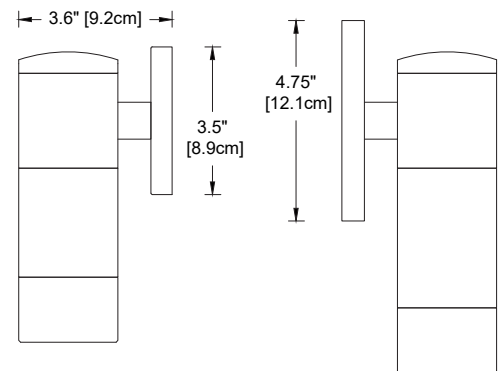


Shown with KP and SQ-3.5 accessories



L-014-S with MR16 and KP & SQ-3.5 accessories

L-014-S with light engine and KP & SQ accessories



IP 66  
 CSA Listed, file #190030  
 10-year fixture warranty  
 3-year LED module warranty  
 3-year warranty on MR16 LED lamps



Project _____		By _____		Date _____	
For ordering purposes, please specify (example: L-014-S—120V—5W-A-NFL-120V—SQ-3.5—FR)					
<b>L-014-S</b>	—	_____	—	_____	—
Fixture		Voltage		Lamp	Accessory(ies)