

L-016R-F



Wildlife Lighting
Certification Number
2018-029

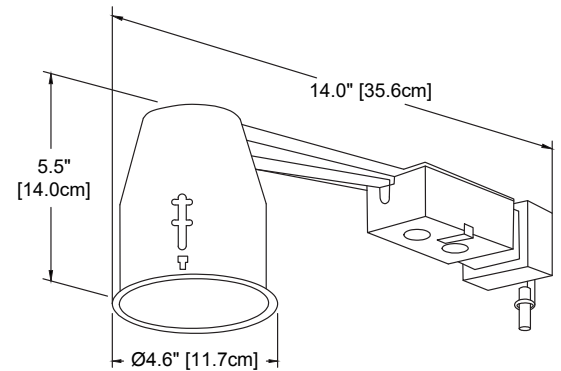
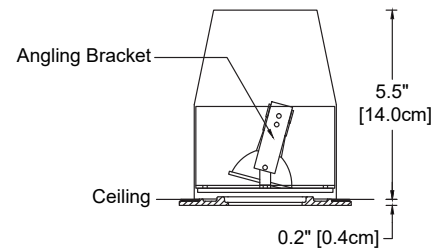
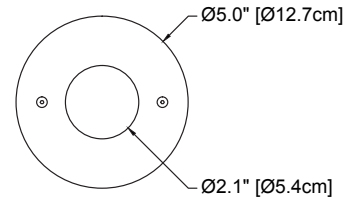
The L-016R-F recessed fixture combines the flexibility of a standard MR16 lamp with the corrosion resistance expected of a Beachside fixture. The gasket on the brass trim securely seals up against the bottom of the recessed, stainless steel can and the frame is powder-coated steel. An internal brass bracket allows 360° rotation and angling up to 28° without an optical accessory (no beam cutoff with 40° flood lamp) or 10° with. The L-016R-F is intended for remodel applications and features an integral **magnetic transformer** (120V primary, 12V secondary). The “-F” designation denotes the flat trim versus the raised trim of the L-016R.

- Housing** Recessed ceiling fixture for remodel applications.
- Mounting** Low silhouette design for use in solid or suspended ceilings. Features “Outrigger”-style transformer placement with adjustable foot support. Fixture is easily installed through ceiling opening. Four retractable mounting clips lock fixture in place. For insulated ceilings, maintain a minimum 3” clearance around fixture.
- Electrical** Prewired with 12/120V thermally protected, Class H, magnetic transformer. Transformer is conveniently mounted to end of junction box. Six (6) 1/2” K.O.’s, four (4) Romex K.O.’s and spring latch access plates in j-box. Removable porcelain socket is wired with Molex connector to j-box.
- Lenses** Tempered soda lime glass.
 ___ **CL** Clear ___ **FR** Frosted
- Lamps** MR16 LED • GU5.3
- | | | | | | |
|---------------------------------------|------------------------------------|---------|----------------------|--------|--------|
| Cree chipset
AMBER (1500K) | ___ 5W-A-NFL | 5 Watt | 25° narrow flood | 83 lm | |
| | Cree XPG3 triple-LED light engines | | | | |
| Cree XPG3 triple LED
AMBER (1500K) | ___ 7W-A-FL | 7 Watt | 66° Beam, 109° Field | 61 lm | 48 cd |
| | ___ 7W-A-NFL | 7 Watt | 28° Beam, 49° Field | 98 lm | 346 cd |
| | ___ 10W-RO-NFL | 10 Watt | 27° Beam, 43° Field | 212 lm | 884 cd |
| Red-Orange (1000K) | ___ 10W-RO-FL | 10 Watt | 51° Beam, 78° Field | 192 lm | 254 cd |
- Accessories** (only one available)
- | | | |
|--------------------|--------------------|------------------------------------|
| Lamp-attached | For light engines | |
| ___ FR-MR16 | ___ FR-LBTZ | Frosted lens |
| ___ HL-MR16 | ___ HL-LBTZ | Honeycomb louver, 1/8” [3mm] thick |
| ___ PR-MR16 | ___ PR-LBTZ | Prismatic spread lens |
| ___ RT-MR16 | ___ RT-LBTZ | Rectilinear spread lens |
| ___ SL-MR16 | ___ SL-LBTZ | Solite (soft focus) lens |
- Finish**
- | | |
|-------------------|-------------------------|
| ___ FIN-BK | Black Acid Finish |
| ___ FIN-DB | Dark Bronze Acid Finish |
| ___ FIN-NA | Nickel Acid Finish |
| ___ FIN-WH | White Powder Coating |

Unfinished is standard—no specification required. The fixture will weather to a natural patina. The patina process is natural with brass and copper. Rate of patina and eventual color is dependent upon climate and proximity to the ocean. Thus, Beachside does not guarantee any specific appearance.

Weight: 7 lbs [3.2 kg]

IP 66
 CSA Listed, file #190030
 10 year fixture warranty
 3 year LED module warranty
 3 year warranty of MR16 LED lamps



Ceiling Opening: Ø4-1/8"
 Max Ceiling Thickness: 1-1/4"



**SUITABLE FOR
 INDOOR USE UP
 TO 12W LED**

Project	By	Date
For ordering purposes, please specify (example: L-016R-F-CL-5W-A-NFL-HL-MR16-FIN-BK)		
L-016R-F	—	—
Fixture	Lens	Lamp
—	—	—
Accessory	—	Finish (if any)