

# L-016R-SQ

The L-016R-SQ recessed downlight combines the flexibility of a standard MR16 lamp with the corrosion resistance expected of a Beachside fixture. The gasket on the brass trim securely seals up against the bottom of the recessed, stainless steel can and the frame is powder-coated steel. An internal brass bracket allows 360° rotation and angling up to 28° without an optical accessory (no beam cutoff up to 26° with 36° flood lamp) or 10° with. The L-016R-SQ is intended for remodel applications and features an integral **magnetic transformer** (120V primary, 12V secondary). The "SQ" designation denotes the square trim versus the round trims of the L-016R and L-016R-F.

**Housing** Recessed ceiling fixture for remodel applications.

**Mounting** Low silhouette design for use in solid or suspended ceilings. Features "Outrigger"-style transformer placement with adjustable foot support. Fixture is easily installed through ceiling opening. Four retractable mounting clips lock fixture in place. For insulated ceilings, maintain a minimum 3" clearance around fixture.

**Electrical** Prewired with 12/120V thermally protected, Class H, magnetic transformer. Transformer is conveniently mounted to end of junction box. Six (6) 1/2" K.O.'s, four (4) Romex K.O.'s and spring latch access plates in j-box. Removable porcelain socket is wired with Molex connector to j-box.

**Lenses** Tempered soda lime glass.

**CL** Clear  **FR** Frosted

**Lamps** GU5.3 MR16 LED

5 Watt Cree chip	<input type="checkbox"/> <b>5W-A-NFL</b>	<b>AMBER</b> (1500K)	25° narrow flood	83 lm
	<u>2700K</u>	<u>3000K</u>		
	<input type="checkbox"/> <b>5W-SP-27</b>	<input type="checkbox"/> <b>5W-SP-30</b>	15° spot	320 lm
Cree chip	<input type="checkbox"/> <b>5W-NFL-27</b>	<input type="checkbox"/> <b>5W-NFL-30</b>	25° narrow flood	320 lm
5 Watts	<input type="checkbox"/> <b>5W-FL-27</b>	<input type="checkbox"/> <b>5W-FL-30</b>	40° flood	320 lm
	<input type="checkbox"/> <b>5W-FL/60-27</b>	<input type="checkbox"/> <b>5W-FL/60-30</b>	60° flood	320 lm
	<input type="checkbox"/> <b>5W-WFL-27</b>	<input type="checkbox"/> <b>5W-WFL-30</b>	100° wide flood	320 lm
Lumiled chip	<input type="checkbox"/> <b>7W-FL/60-27</b>	<input type="checkbox"/> <b>7W-FL/60-30</b>	60° flood	483 lm
7 Watts	<input type="checkbox"/> <b>8W-SP-27</b>	<input type="checkbox"/> <b>8W-SP-30</b>	10° spot	500 lm
Soraa chip	<input type="checkbox"/> <b>8W-NFL-27</b>	<input type="checkbox"/> <b>8W-NFL-30</b>	25° narrow flood	525 lm
8 Watts	<input type="checkbox"/> <b>8W-FL-27</b>	<input type="checkbox"/> <b>8W-FL-30</b>	36° flood	525 lm

Cree XPG3 triple-LED light engines

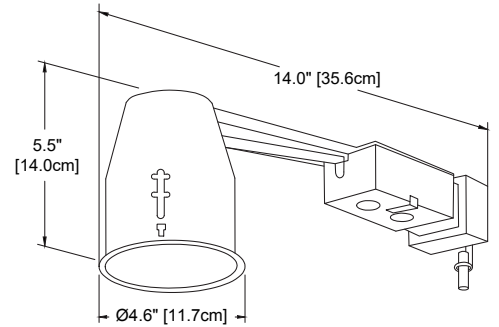
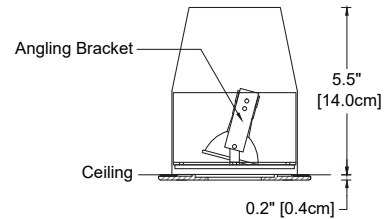
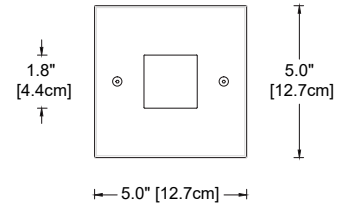
<b>AMBER</b> (1500K)	<input type="checkbox"/> <b>7W-A-FL</b>	7 Watt	66° Bm/109° Fld	61 lm	48 cd
<b>TURTLE FRIENDLY</b>	<input type="checkbox"/> <b>7W-A-NFL</b>	7 Watt	28° Bm/49° Fld	98 lm	346 cd
<b>RED-ORANGE</b> (1000K)	<input type="checkbox"/> <b>10W-RO-NFL</b>	10 Watt	27° Bm/43° Fld	212 lm	884 cd
<b>TURTLE FRIENDLY</b>	<input type="checkbox"/> <b>10W-RO-FL</b>	10 Watt	51° Bm/78° Fld	192 lm	254 cd
Warm White (2700K)	<input type="checkbox"/> <b>11W-927-NFL</b>	11 Watt			
	<input type="checkbox"/> <b>11W-927-FL</b>	11 Watt			
	<input type="checkbox"/> <b>11W-930-NFL</b>	11 Watt	30° Bm/52° Fld	678 lm	2197 cd
Warm White (3000K)	<input type="checkbox"/> <b>11W-930-FL</b>	11 Watt	46° Bm/79° Fld	585 lm	864 cd

**Accessories** Lamp-attached For light engines

(only one available)	<input type="checkbox"/> <b>FR-MR16</b>	<input type="checkbox"/> <b>FR-LBTZ</b>	Frosted lens
	<input type="checkbox"/> <b>HL-MR16</b>	<input type="checkbox"/> <b>HL-LBTZ</b>	Honeycomb louver, 1/8" [3mm] thick
	<input type="checkbox"/> <b>PR-MR16</b>	<input type="checkbox"/> <b>PR-LBTZ</b>	Prismatic spread lens
	<input type="checkbox"/> <b>RT-MR16</b>	<input type="checkbox"/> <b>RT-LBTZ</b>	Rectilinear spread lens
	<input type="checkbox"/> <b>SL-MR16</b>	<input type="checkbox"/> <b>SL-LBTZ</b>	Solite (soft focus) lens

**Finish**  **FIN-BK** Black Acid  **FIN-NA** Nickel Acid  
 **FIN-DB** Dark Bronze Acid  **FIN-WH** White Powder Coating

Unfinished is standard—no specification required. Fixture will weather to a natural patina. Rate of patina and eventual color is dependent upon climate and proximity to the ocean. Thus, Beachside does not guarantee any specific appearance.



Ceiling Opening: Ø4-1/8"  
 Max Ceiling Thickness: 1-1/4"

**Weight:** 7 lbs [3.2 kg]

IP 66  
 CSA Listed, file #190030  
 10 year fixture warranty  
 3 year LED module warranty  
 3 year warranty of MR16 LED lamps



**SUITABLE FOR INDOOR USE UP TO 12W LED**

Project	By	Date
For ordering purposes, please specify (example: <b>L-016R-SQ-CL-5W-FL-27-HL-MR16-FIN-BK</b> )		
<b>L-016R-SQ</b>		
Fixture	Lens	Lamp
		Accessory
		Finish (if any)