

L-017 / L-017-CR L-017-C / L-017-C-CR



Wildlife Lighting
Certification Number
2018-029

The L-017 is a family of brass and composite in-ground pathlights for high-traffic and drive-over applications. Ideal for paths with low ground cover.

Construction Cast brass base, cover, and dome on a composite housing

Lens Frosted, borosilicate glass.

L-017 12V At-grade application for soil, gravel, or brick
L-017-CR Adds **CONCRETE RING** for fully recessed concrete installation

Lamps GU5.3 base • MR16 • Cree chipset
— **5W-A-NFL** 5 Watt LED **AMBER** (1500K)
*Remote transformer required for L-017 / L-017-CR

L-017-C-120V 120V At-grade application for soil, gravel, or brick
L-017-C-CR-120V Adds **CONCRETE RING** for fully recessed concrete installation

L-017-C-230V 230V At-grade application for soil, gravel, or brick
L-017-C-CR-230V Adds **CONCRETE RING** for fully recessed concrete installation

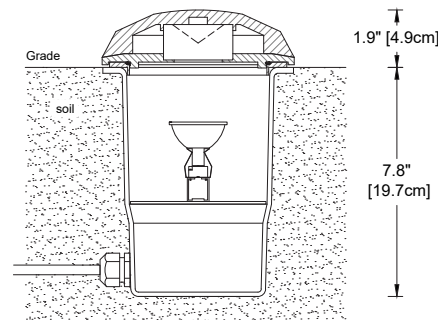
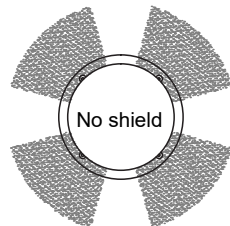
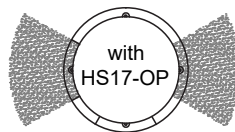
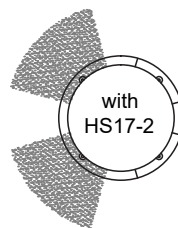
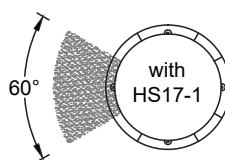
Lamps GU10 base • MR16 • Cree chipset
— **5W-A-NFL** 5 Watt LED **AMBER** (1500K)

Accessories
— **HS17-1** Shield for single-sector illumination
— **HS17-2** Shield for dual adjacent sector illumination
— **HS17-OP** Shield for opposite sector illumination

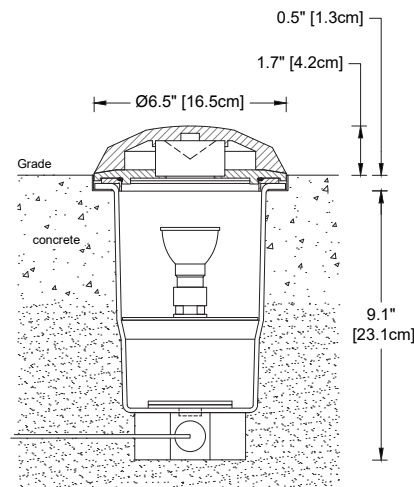
Finish: Unfinished is standard; no specification required. The fixture will weather to a natural patina. The patina process is natural with brass and copper. Rate of patina and eventual color is dependent upon climate and proximity to the ocean. Thus, Beachside does not guarantee any specific appearance.

Weight: 11 lbs / 4.8 kg

IP 67
10 year fixture warranty
3 year warranty on MR16 LED lamps
Drive-over static load rating: 24,000 lbs



L-017 with GU5.3 MR16



L-017-C-CR with GU10 MR16

L-017/-CR supplied with 10ft / 3m SJOOW cord for remote connectors.

L-017-C/-CR supplied with 15ft / 4.6m SJOOW cord.

L-017 Footcandle Readings at Horizontal Distance from Fixture

Lamp	1' / 0.3m	2' / 0.6m	3' / 0.9m	4' / 1.2m	5' / 1.5m	6' / 1.8m	7' / 2.1m	8' / 2.4m	9' / 2.7m	10' / 3.0m
5W-A-NFL	6.77	2.09	0.98	0.49	0.29	0.18	0.16	0.12	0.10	0.06

Project _____ By _____ Date _____

For ordering purposes, please specify (example: **L-017-C-CR-230V—5W-A-NFL—HS17-2**)

L-017- _____

Fixture _____ Lamp _____ Accessory _____