

L-020-B

The L-020-B is a solid brass low-voltage underwater directional fixture manufactured by Focus Industries. It is supplied with a 15-foot (4.5 m) cord. It can be special ordered with additional cord lengths in 5-foot (1.5 m) increments.

Construction Cast brass components; stainless steel screws; brass, nickel-plated, liquid-tight, straight bushing from fixture base

Lens High-impact, clear, tempered, flat glass

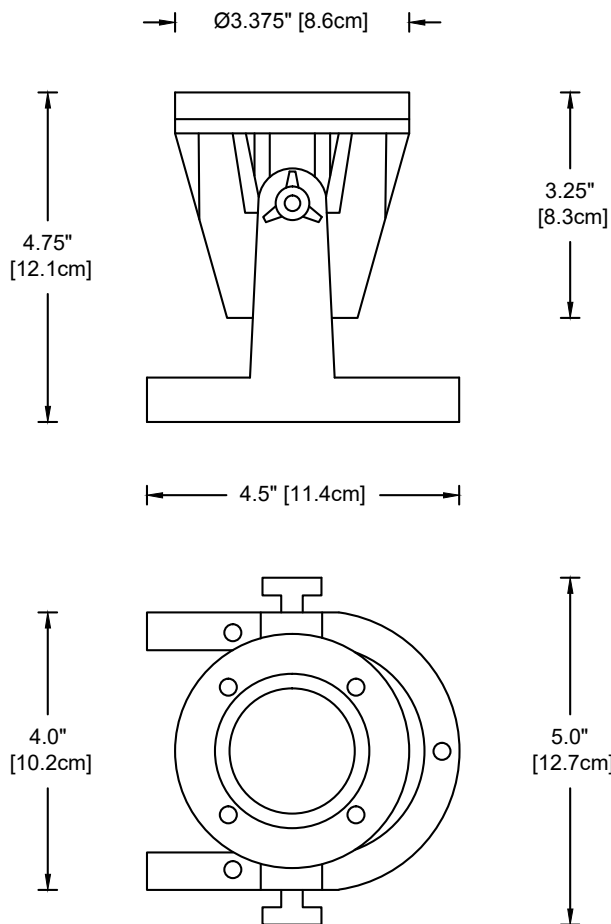
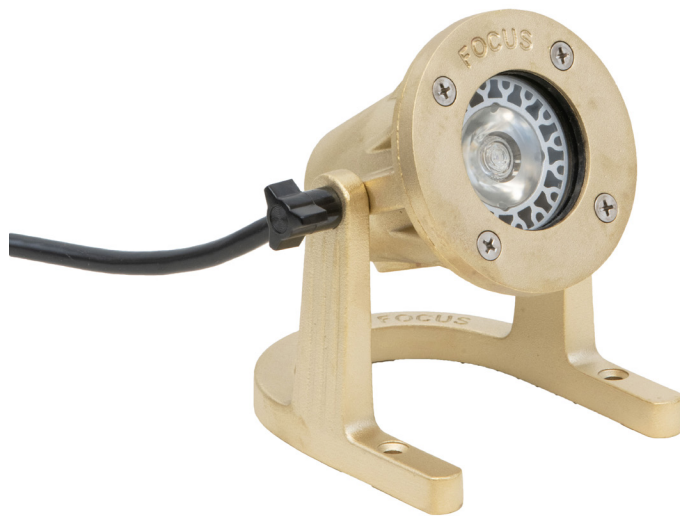
Voltage 12 Volts AC, remote transformer required

Mounting Flush to bottom with aiming bracket

Lamps GU5.3 MR16 LED • Warm White (2700/3000K)

	2700K		3000K				
Cree chipset	___ 5W-SP-27	___ 5W-SP-30	15° spot	320 lm	85+ CRI		
5 Watts	___ 5W-NFL-27	___ 5W-NFL-30	25° narrow flood	320 lm	85+ CRI		
Soraa chipset	___ 8W-SP-27	___ 8W-SP-30	10° spot	600 lm	90 CRI		
8 Watts	___ 8W-NFL-27	___ 8W-NFL-30	25° narrow flood	630 lm	90 CRI		

Finish: Unfinished is standard; no specification required. The fixture will weather to a natural patina. The patina process is natural with brass and copper. Rate of patina and eventual color is dependent upon climate and proximity to the ocean. Thus, Beachside does not guarantee any specific appearance.



Weight: 4.4 lbs / 2 kg

IP68
ETL Listed to UL 676
10 year fixture warranty
3 year warranty on MR16 LED lamps

Fixtures supplied with 15 ft / 4.6 m type SJTOW cord for remote connectors

Project	By	Date
For ordering purposes, please specify (example: L-020-B—5W-NFL-27)		
L-020-B		
Fixture	Lamp	