

M5

The M-Series pathlights are the ultimate in heavy duty landscape lighting. Made of cast brass, they are larger than other Beachside pathlights.



Wildlife Lighting
Certification Number
2018-029



Construction Cast brass shade, louvers, and base assembly. 1/2" schedule 40 brass stem.

Lens Industry standard vapor-proof, prismatic, tempered glass

Stem Height
 ___ 16 16" [41 cm]
 ___ 20 20" [51 cm] - Standard
 ___ 24 24" [61 cm]

12V Lamps GU5.3 • MR16 LED • Remote transformer required.

Cree chipset ___ **5W-A-NFL** 5 Watt **AMBER** (1500K)

LED light engine • Remote transformer required.

___ **7W-A** 7 Watt **AMBER** (1500K)

Cree XPE2 chipset ___ **8W-RO** 8 Watt **RED-ORANGE** (1000K)

120/230V Lamps GU10 • MR16 LED

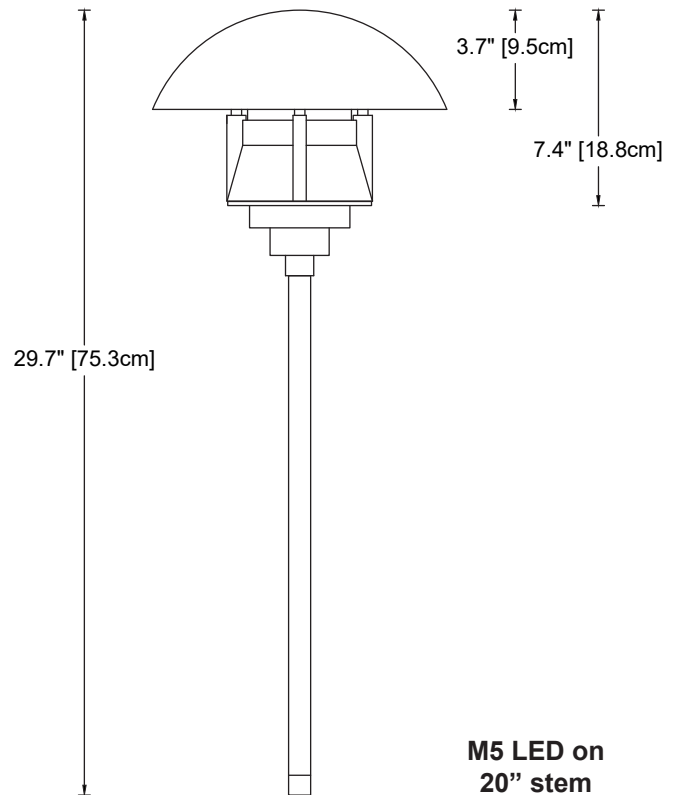
Cree chipset ___ **5W-A-NFL-120V** 5 Watt **AMBER** (1500K)

Optical Accessory ___ **HSM-LED** Half shield for 180° illumination

Mounting Accessories 1/2" male threads. Mounts into any standard j-box or:
 ___ **GS2BC** Heavy-duty ground spike with cast brass cap
 ___ **JB** Cast brass junction box

Finish: Unfinished is standard; no specification required. The fixture will weather to a natural patina. The patina process is natural with brass and copper. Rate of patina and eventual color is dependent upon climate and proximity to the ocean. Thus, Beachside does not guarantee any specific appearance.

Ø11.1" [28.2cm]



**M5 LED on
20" stem**

Weight: 12 lbs / 5.4 kg (20" stem)

IP66
 10 year fixture warranty
 3 year LED light engine warranty
 3 year warranty on MR16 LED lamps



Project _____		By _____		Date _____	
For ordering purposes, please specify (example: M5—120V—20—5W-A-NFL-120V—HSM-LED—GS2BC)					
M5	—	—	—	—	—
Fixture	Voltage	Stem Height	Lamp	Accessory(ies)	