

M7

The M-Series pathlights are the ultimate in heavy duty landscape lighting. Made of cast brass, they are larger than other Beachside pathlights. The multi-louver design uses omnidirectional LED lamps. The single-louver design uses drop-in MR16 LEDs and integrated LED light engines.

Construction Cast brass shade, louvers, and base assembly. 1/2" schedule 40 brass stem.

Lens Industry standard vapor-proof, prismatic, tempered glass

Stem Height

___ 16	16" [41 cm]
___ 20	20" [51 cm] - Standard
___ 24	24" [61 cm]

12V Lamps G4/G6.35/GY6.35 omnidirectional LED
Remote transformer required

___ 3W-G4-27	3 Watt Warm White (2700K)
___ 3W-G4-30	3 Watt Warm White (3000K)
___ 4W-G4-27	4 Watt Warm White (2700K)
___ 4W-G4-30	4 Watt Warm White (3000K)

GU5.3 MR16 LED • Remote transformer required

Cree chipset	___ 5W-A-NFL	5 Watt AMBER (1500K) <i>TURTLE FRIENDLY</i>
	___ 5W-NFL-27	5 Watt Warm White (2700K)
Cree chipset	___ 5W-NFL-30	5 Watt Warm White (3000K)
	___ 8W-NFL-27	8 Watt Warm White (2700K)
Soraa chipset	___ 8W-NFL-30	8 Watt Warm White (3000K)

LED light engine • Remote transformer required

Cree XPE2 chipset	___ 7W-A	7 Watt AMBER (1500K) <i>TURTLE FRIENDLY</i>
	___ 8W-RO	8 Watt RED-ORANGE (1000K) <i>TURTLE FRIENDLY</i>
Cree XPG2 chipset	___ 11W-827	11 Watt (2700K)
	___ 11W-830	11 Watt (3000K)

120/230V Lamps E26 base • Omnidirectional LED

___ 6W-A-E26	6 Watt Amber (1500K)
___ 13W-A19-2700K	13 Watt Warm White (2700K), A19 type
___ 13W-A19-3000K	13 Watt Warm White (3000K), A19 type

GU10 MR16 LED

Cree chipset	___ 5W-A-NFL-120V	5 Watt AMBER (1500K) <i>TURTLE FRIENDLY</i>
	___ 5W-NFL-27-120V	5 Watt Warm White (2700K)
Cree chipset	___ 5W-NFL-30-120V	5 Watt Warm White (3000K)
	___ 8W-NFL-27-120V	8 Watt Warm White (2700K)
Soraa chipset	___ 8W-NFL-30-120V	8 Watt Warm White (3000K)

Optical Accessories

___ HSM	Half shield for 180° illumination
___ HSM-LED	Half shield for single-louver design only

Mounting Accessories 1/2" male threads. Mounts into any standard j-box or:

___ GS2BC	Heavy-duty ground spike with cast brass cap
___ JB	Cast brass junction box

Finish: Unfinished is standard; no specification required. The fixture will weather to a natural patina. The patina process is natural with brass and copper. Rate of patina and eventual color is dependent upon climate and proximity to the ocean. Thus, Beachside does not guarantee any specific appearance.

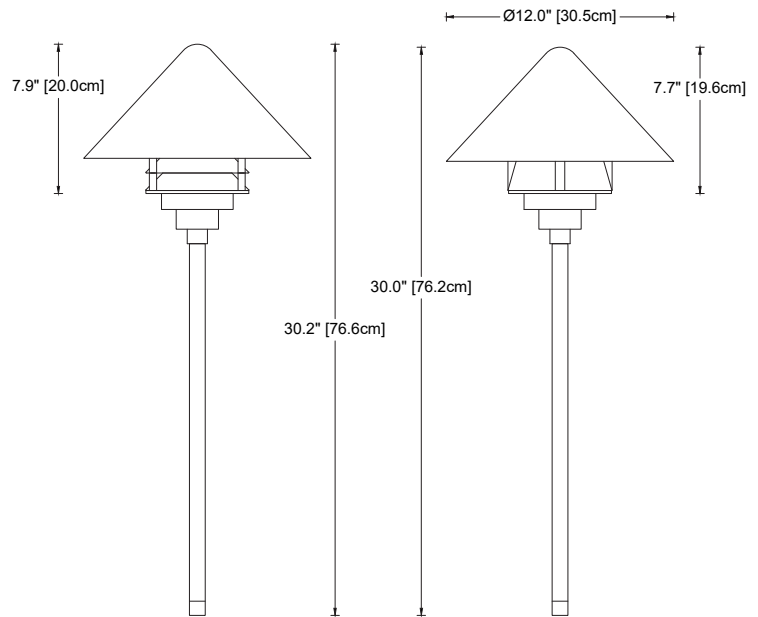
Weight: 12 lbs / 5.4 kg (20" stem)



Multi-louver for Omnidirectional LED lamps



Single-louver for light engines and MR16 LED lamps



M7 on 20" stem

M7 LED on 20" stem



IP66
10 year fixture warranty
3 year LED light engine warranty
3 year warranty on MR16 LED lamps

Project _____	By _____	Date _____
For ordering purposes, please specify (example: M7—120V—20—5W-NFL-27-120V—HSM-LED—GS2BC)		
M7	—	—
Fixture	Voltage	Stem Height
—	—	—
—	—	—
—	Lamp	Accessory(ies)