

# M8

The M-Series pathlights are the ultimate in heavy duty landscape lighting. Made of cast brass, they are larger than other Beachside pathlights.



Wildlife Lighting  
Certification Number  
2018-029



**Construction** Cast brass shade, louvers, and base assembly. 1/2" schedule 40 brass stem.

**Lens** Industry standard vapor-proof, prismatic, tempered glass

**Stem Height**  
 \_\_\_ 16 16" [41 cm]  
 \_\_\_ 20 20" [51 cm] - Standard  
 \_\_\_ 24 24" [61 cm]

**12V Lamps** GU5.3 • MR16 LED • Remote transformer required.

Cree chipset \_\_\_ **5W-A-NFL** 5 Watt **AMBER** (1500K)

LED light engine • Remote transformer required.

\_\_\_ **7W-A** 7 Watt **AMBER** (1500K)

Cree XPE2 chipset \_\_\_ **8W-RO** 8 Watt **RED-ORANGE** (1000K)

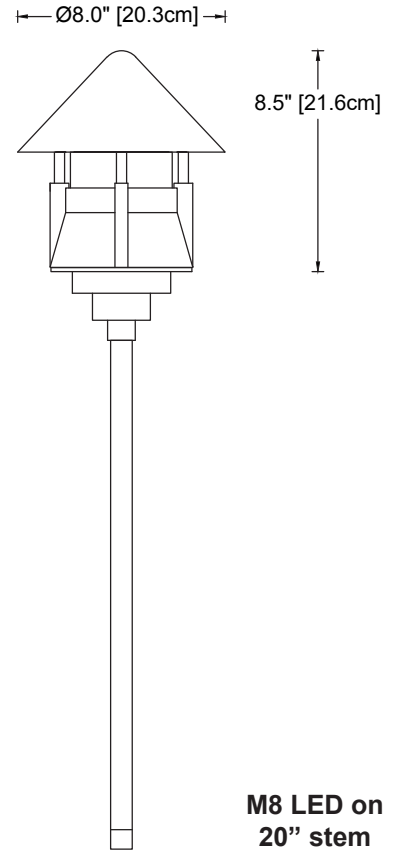
**120/230V Lamps** GU10 • MR16 LED

Cree chipset \_\_\_ **5W-A-NFL-120V** 5 Watt **AMBER** (1500K)

**Optical Accessory** \_\_\_ **HSM-LED** Half shield for 180° illumination

**Mounting Accessories** 1/2" male threads. Mounts into any standard j-box or:  
 \_\_\_ **GS2BC** Heavy-duty ground spike with cast brass cap  
 \_\_\_ **JB** Cast brass junction box

**Finish:** Unfinished is standard; no specification required. The fixture will weather to a natural patina. The patina process is natural with brass and copper. Rate of patina and eventual color is dependent upon climate and proximity to the ocean. Thus, Beachside does not guarantee any specific appearance.



M8 LED on 20" stem

**Weight:** 12 lbs / 5.4 kg (20" stem)

IP66  
 10 year fixture warranty  
 3 year LED light engine warranty  
 3 year warranty on MR16 LED lamps



Project _____		By _____		Date _____	
For ordering purposes, please specify (example: <b>M8—120V—20—5W-A-NFL-120V—HSM-LED—GS2BC</b> )					
<b>M8</b>	—	—	—	—	—
Fixture	Voltage	Stem Height	Lamp	Accessory(ies)	