

MB3

The MB-series classic-style bollards for concrete installation set the standard for durable, corrosion-resistant walkway lighting. The lamp is protected by a threaded glass lens and an internal brass collar with stainless steel mounting hardware helps ensure stability.



Wildlife Lighting
Certification Number
2018-029



Construction Cast brass shade and louver assembly. 4" diameter brass tube x 0.090" wall thickness (10.2 cm x 2.3 mm).

Mounting Concrete-mounted fixture uses 3/8" stainless steel anchor bolts through an internal brass mounting collar. Stainless steel hex nuts and washers below collar allow for levelling.

Lens Vapor-proof, tempered glass with threaded fitter

Shaft Height

— 4	4" [10 cm]
— 12	12" [30 cm]
— 28	28" [71 cm] Standard

12V Lamps GU5.3 • MR16 LED • Remote transformer required

Cree chipset — **5W-A-NFL** 5 Watt **AMBER** (1500K)

LED light engine • Remote transformer required

— **7W-A** 7 Watt **AMBER** (1500K)

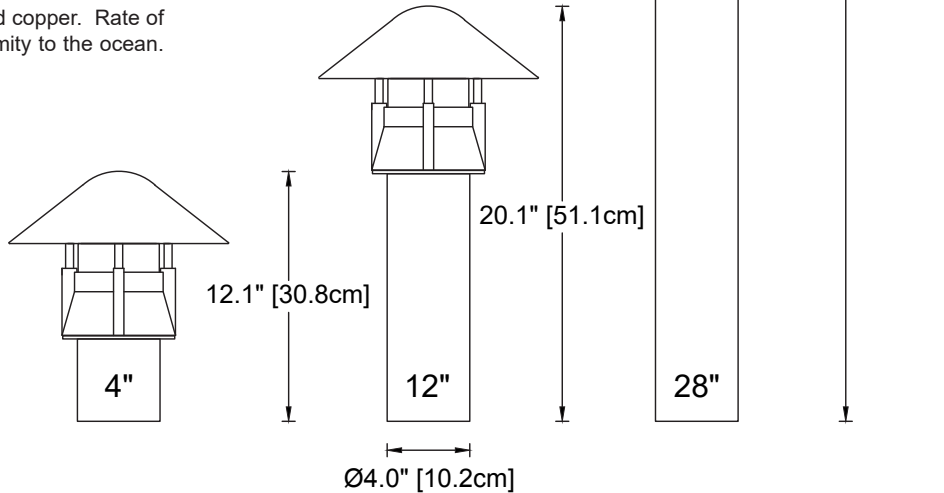
Cree XPE2 chipset — **8W-RO** 8 Watt **RED-ORANGE** (1000K)

120/230V Lamps GU10 • MR16 LED

Cree chipset — **5W-A-NFL-120V** 5 Watt **AMBER** (1500K)

Accessory — **HSM-LED** Half shield for 180° illumination

Finish: Unfinished is standard; no specification required. The fixture will weather to a natural patina. The patina process is natural with brass and copper. Rate of patina and eventual color is dependent upon climate and proximity to the ocean. Thus, Beachside does not guarantee any specific appearance.



Weight: 24 lbs / 11 kg (28" shaft)

IP66
10 year fixture warranty
3 year LED light engine warranty
3 year warranty on MR16 LED lamps

Project _____	By _____	Date _____
For ordering purposes, please specify (example: MB3—12V—28—5W-A-NFL—HSM-LED)		
MB3 Fixture	— Voltage —	— Stem Height —
		— Lamp —
— Accessory(ies) —		