

MB8

The MB-series classic-style bollards for concrete installation set the standard for durable, corrosion-resistant walkway lighting. The lamp is protected by a threaded glass lens and an internal brass collar with stainless steel mounting hardware helps ensure stability. The multi-louver design uses omnidirectional LED lamps. The single-louver design uses drop-in MR16 LEDs and integrated LED light engines.

Construction Cast brass shade and louver assembly. 4" diameter brass tube x 0.090" wall thickness (10.2 cm x 2.3 mm).

Mounting Concrete-mounted fixture uses 3/8" stainless steel anchor bolts through an internal brass mounting collar. Stainless steel hex nuts and washers below collar allow for levelling.

Lens Vapor-proof, tempered glass with threaded fitter.

Shaft Height

___ 4	4" [10 cm]
___ 12	12" [30 cm]
___ 28	28" [71 cm] Standard

12V Lamps G4 / G6.35 / GY6.35 omnidirectional LED
Remote transformer required

___ 3W-G4-27	3 Watt Warm White (2700K)
___ 3W-G4-30	3 Watt Warm White (3000K)
___ 4W-G4-27	4 Watt Warm White (2700K)
___ 4W-G4-30	4 Watt Warm White (3000K)

GU5.3 MR16 LED • Remote transformer required

Cree chipset	___ 5W-A-NFL	5 Watt AMBER (1500K) <i>TURTLE FRIENDLY</i>
	___ 5W-NFL-27	5 Watt Warm White (2700K)
	___ 5W-NFL-30	5 Watt Warm White (3000K)
Soraa chipset	___ 8W-NFL-27	8 Watt Warm White (2700K)
	___ 8W-NFL-30	8 Watt Warm White (3000K)

LED light engine • Remote transformer required

Cree XPE2 chipset	___ 7W-A	7 Watt AMBER (1500K) <i>TURTLE FRIENDLY</i>
	___ 8W-RO	8 Watt RED-ORANGE (1000K) <i>TURTLE FRIENDLY</i>
Cree XPG2 chipset	___ 11W-827	11 Watt (2700K)
	___ 11W-830	11 Watt (3000K)

120/230V Lamps E26 / E27 base • Omnidirectional LED

___ 6W-A-E26	6 Watt AMBER LED (1500K)
___ 13W-A19-2700K	13 Watt LED (2700K), A19 type
___ 13W-A19-3000K	13 Watt LED (3000K), A19 type

GU10 MR16 LED

Cree chipset	___ 5W-A-NFL-120V	5 Watt AMBER (1500K) <i>TURTLE FRIENDLY</i>
	___ 5W-NFL-27-120V	5 Watt Warm White (2700K)
	___ 5W-NFL-30-120V	5 Watt Warm White (3000K)
Soraa chipset	___ 8W-NFL-27-120V	8 Watt Warm White (2700K)
	___ 8W-NFL-30-120V	8 Watt Warm White (3000K)

Accessory

___ HSM	Half shield for 180° illumination
___ HSM-LED	Half shield for MR16 LED lamps <i>only</i>

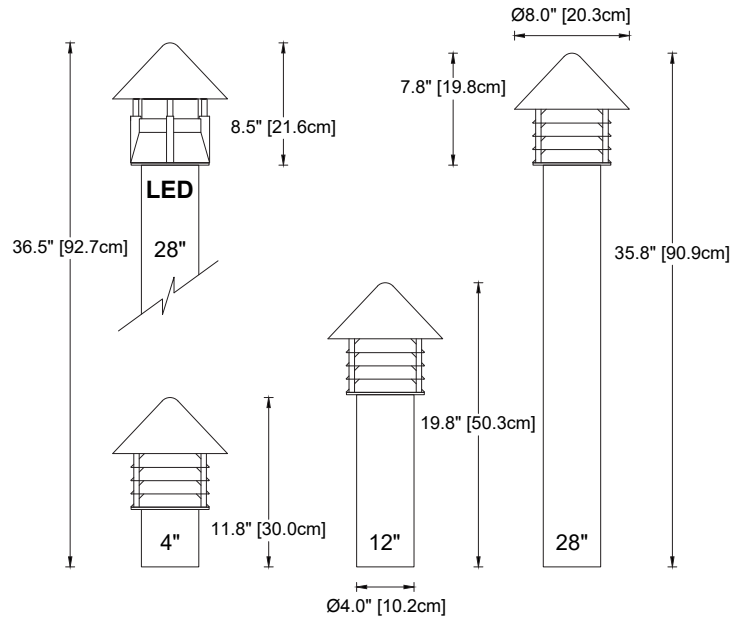
Finish: Unfinished is standard; no specification required. The fixture will weather to a natural patina. The patina process is natural with brass and copper. Rate of patina and eventual color is dependent upon climate and proximity to the ocean. Thus, Beachside does not guarantee any specific appearance.

Weight: 26 lbs / 11.8 kg (28" shaft)



Multi-louver for Omnidirectional LED lamps

Single-louver for LED light engines and MR16 LED lamps



IP66
10 year fixture warranty
3 year LED light engine warranty
3 year warranty on MR16 LED lamps

Project _____	By _____	Date _____
For ordering purposes, please specify (example: MB8—12V—28—5W-A-NFL—HSM-LED)		
MB8 Fixture	Voltage	Stem Height
Lamp	Accessory(ies)	