

# MB8

The MB-series classic-style bollards for concrete installation set the standard for durable, corrosion-resistant walkway lighting. The lamp is protected by a threaded glass lens and an internal brass collar with stainless steel mounting hardware helps ensure stability.



Wildlife Lighting  
Certification Number  
2018-029



**Construction** Cast brass shade and louver assembly. 4" diameter brass tube x 0.090" wall thickness (10.2 cm x 2.3 mm).

**Mounting** Concrete-mounted fixture uses 3/8" stainless steel anchor bolts through an internal brass mounting collar. Stainless steel hex nuts and washers below collar allow for levelling.

**Lens** Vapor-proof, tempered glass with threaded fitter

**Shaft Height**

__ 4	4" [10 cm]
__ 12	12" [30 cm]
__ 28	28" [71 cm] Standard

**12V Lamps** GU5.3 • MR16 LED • Remote transformer required

Cree chipset  
\_\_ **5W-A-NFL** 5 Watt **AMBER** (1500K)

LED light engine • Remote transformer required

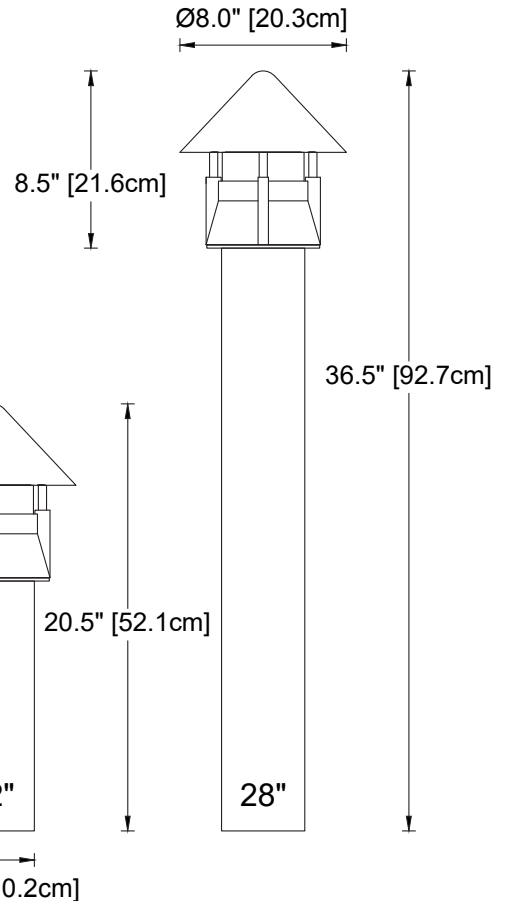
Cree XPE2 chipset  
\_\_ **7W-A** 7 Watt **AMBER** (1500K)  
\_\_ **8W-RO** 8 Watt **RED-ORANGE** (1000K)

**120/230V Lamps** GU10 • MR16 LED

Cree chipset  
\_\_ **5W-A-NFL-120V** 5 Watt **AMBER** (1500K)

**Accessory** \_\_ **HSM-LED** Half shield for 180° illumination

**Finish:** Unfinished is standard; no specification required. The fixture will weather to a natural patina. The patina process is natural with brass and copper. Rate of patina and eventual color is dependent upon climate and proximity to the ocean. Thus, Beachside does not guarantee any specific appearance.



**Weight:** 26 lbs / 11.8 kg (28" shaft)

IP66  
10 year fixture warranty  
3 year LED light engine warranty  
3 year warranty on MR16 LED lamps

Project	By	Date
For ordering purposes, please specify (example: <b>MB8—12V—28—5W-A-NFL—HSM-LED</b> )		
<b>MB8</b>	—	—
Fixture	Voltage	Stem Height
—	—	—
—	Lamp	Accessory(ies)