

R19

The R-Series LED pathlights are durable fixtures made from brass and copper. They are ideal for walkway and area lighting in any landscape theme and location.

Construction All brass components. 1/2" schedule 40 brass stem. 18-gauge copper shade, underside powdercoated white.

Lens Frosted borosilicate glass, 4.8mm wall thickness

Stem Height 12 inches is standard. Custom heights upon request

<input type="checkbox"/> 2	2" [5 cm]	<input type="checkbox"/> 16	16" [40 cm]
<input type="checkbox"/> 8	8" [20 cm]	<input type="checkbox"/> 20	20" [51 cm]
<input type="checkbox"/> 12	12" [30 cm]		

Voltage / Lamp Options

12V Remote transformer required • Compatible with most MLV or ELV transformers and DALI dimmable drivers (12V DC)

GU5.3 MR16 LED

<input type="checkbox"/> 5W-A-NFL	5 Watt AMBER , 1500K <i>TURTLE FRIENDLY</i>	34 lm
<input type="checkbox"/> 5W-NFL-27	5 Watt Warm White, 2700K	67 lm
<input type="checkbox"/> 5W-NFL-30	5 Watt Warm White, 3000K	71 lm
<input type="checkbox"/> 8W-NFL-27	8 Watt Warm White, 2700K	156 lm
<input type="checkbox"/> 8W-NFL-30	8 Watt Warm White, 3000K	163 lm

Triple LED Module

<input type="checkbox"/> 7W-A	7 Watt AMBER , 1500K <i>TURTLE FRIENDLY</i>	83 lm
<input type="checkbox"/> 8W-RO	8 Watt RED-ORANGE , 1000K <i>TURTLE FRIENDLY</i>	216 lm
<input type="checkbox"/> 11W-827	11 Watt Warm White, 2700K	330 lm
<input type="checkbox"/> 11W-830	11 Watt Warm White, 3000K	344 lm

120V / 230V GU10 MR16 LED • Compatible with most forward and reverse phase dimmers

<input type="checkbox"/> 5W-A-NFL-120V	5 Watt AMBER , 1500K <i>TURTLE FRIENDLY</i>	34 lm
<input type="checkbox"/> 5W-NFL-27-120V	5 Watt Warm White, 2700K	94 lm
<input type="checkbox"/> 5W-NFL-30-120V	5 Watt Warm White, 3000K	96 lm
<input type="checkbox"/> 8W-NFL-27-120V	8 Watt Warm White, 2700K	156 lm
<input type="checkbox"/> 8W-NFL-30-120V	8 Watt Warm White, 3000K	163 lm

Optical Accessory HSR Half shield for 180° illumination

Mounting Accessories 1/2" male threads. Mounts into any standard j-box or:

<input type="checkbox"/> BSB	Brass Surface Box for concrete or wood surface-mount applications
<input type="checkbox"/> GS2	Heavy-duty ground spike
<input type="checkbox"/> GS2BC	Heavy-duty ground spike with cast brass cap
<input type="checkbox"/> GS3R	Heavy-duty ground spike with brass cap for telescoping riser
<input type="checkbox"/> GS4	Standard ground spike with cast brass cap (12V only)
<input type="checkbox"/> JB	Cast brass junction box

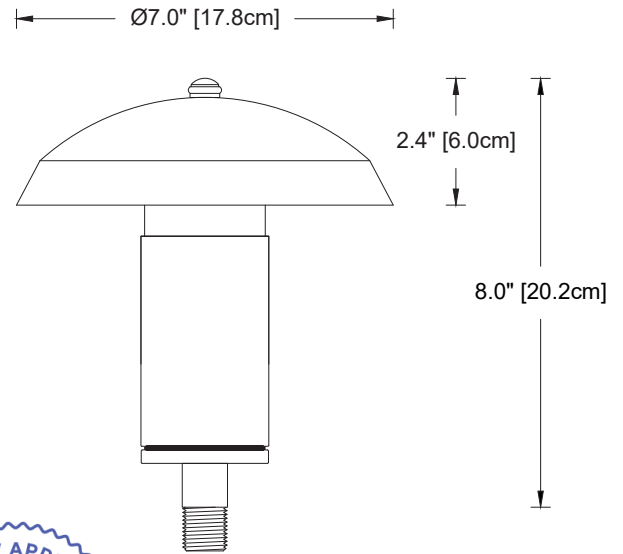
Finish: Unfinished is standard, no specification required. The fixture will weather to a natural patina. The patina process is natural with brass and copper. Rate of patina and eventual color is dependent upon climate and proximity to the ocean. Thus, Beachside does not guarantee any specific appearance.

Weight: 3.4 lbs [1.5 kg] with 2" stem

IP66
CSA Listed, file #190030
10 year fixture warranty
3 year warranty on MR16 LED lamps
3 year LED module warranty



R19 on 2" stem



Project	By	Date
For ordering purposes, please specify (example: R19-120V-2-5W-A-HSR-GS2)		
R19 Fixture	Voltage	Stem Height
	Lamp	Accessory(ies)